

AMCO

PRODUCTS COMPANY

CATALOG

AMCO CHUCKS AND CAPPING
HEADS

AMCO BUMPERED KNIFE PLATES

AMCO BOTTLE CONTROL PARTS
FOR CROWN, MEYER, H&K AND
SIMONAZZI FILLERS; AND FOR
ALCOA CAPPERS

AMCO REPLACEMENT PARTS FOR
FILLERS AND CAPPERS



ORDER TOLL-FREE
IN U.S., CANADA
& MEXICO

800-643-2510

FAX: 479-648-1032

E-Mail: sales@amcoprod.com





Since 1958 AMCO has supplied parts and innovative designs to the beverage industry. We have earned the confidence of customers across the U.S. and around the world. AMCO is proud of the long standing reputation we have built for quality parts, prompt availability, and competitive pricing. Our reputation and the customer loyalty it brings is a result of consistently being able to provide custom solutions when problems go beyond mere replacement parts. We always strive to go "the extra mile" to meet customer's needs.

We appreciate your taking the time to browse through our catalog. When you need replacement parts think of AMCO. If you need something you can't find in our catalog please contact us.

For a prompt quotation of price and delivery call AMCO toll-free at **800-643-2510**, or e-mail us at sales@amcoprod.com. We look forward to serving you.

A handwritten signature in black ink that reads "Wendell S. Martin". The signature is written in a cursive, flowing style.

Wendell Martin
President



Table of Contents

AMCO CHUCKS	2
BUMPERED KNIFE PLATES	3
CUSTOM SOLUTIONS	4
AMCO REPLACEMENT PARTS	5
AMCO CAPPING HEADS	6-7
AMCO BOTTLE HANDLING PARTS	
Crown, Meyer New Generation, H&K, and Simonazzi fillers	8-9
Alcoa Cappers.....	8-9
Neck Supports.....	10
AMCO PetaDrive™ Capping Anti-Rotation Device.....	11
TITAN PRECISION VALVE	12-13
AMCO REPLACEMENT PARTS FOR CROWN FILLERS	
Precision Bottle Filling Valve.....	14
Hi Flow Filling Valve.....	15
Super Hi-Flow Filling Valve.....	16
Hybrid Filling Valve.....	17
Super Filling Valve.....	18
Standard Filling Valve.....	19
Bottle Lift Cylinders.....	20
Bottle Wear Plates.....	21
Precision Can filling Valve.....	22
Can Filling Valve.....	23
Can Lift Cylinder - Spring Lift and Air Lift.....	24
AMCO REPLACEMENT PARTS FOR MEYER FILLERS	
R11 and R11A Filling Valves.....	25
Standard Filling Valves.....	26
Lift Cylinders - New Generation.....	27
Lift Cylinders - Positive Pulldown.....	28-29
Rebuilt & Reconditioned.....	30
TERMS OF SALE, WARRANTY	Inside Back Cover

AMCO Chucks

ANY HEAD, ANY CLOSURE, ANYTIME.

AMCO chucks are the industry leaders in quality and superior application. AMCO chucks are found worldwide, providing reliable capping for both international and regional brands.

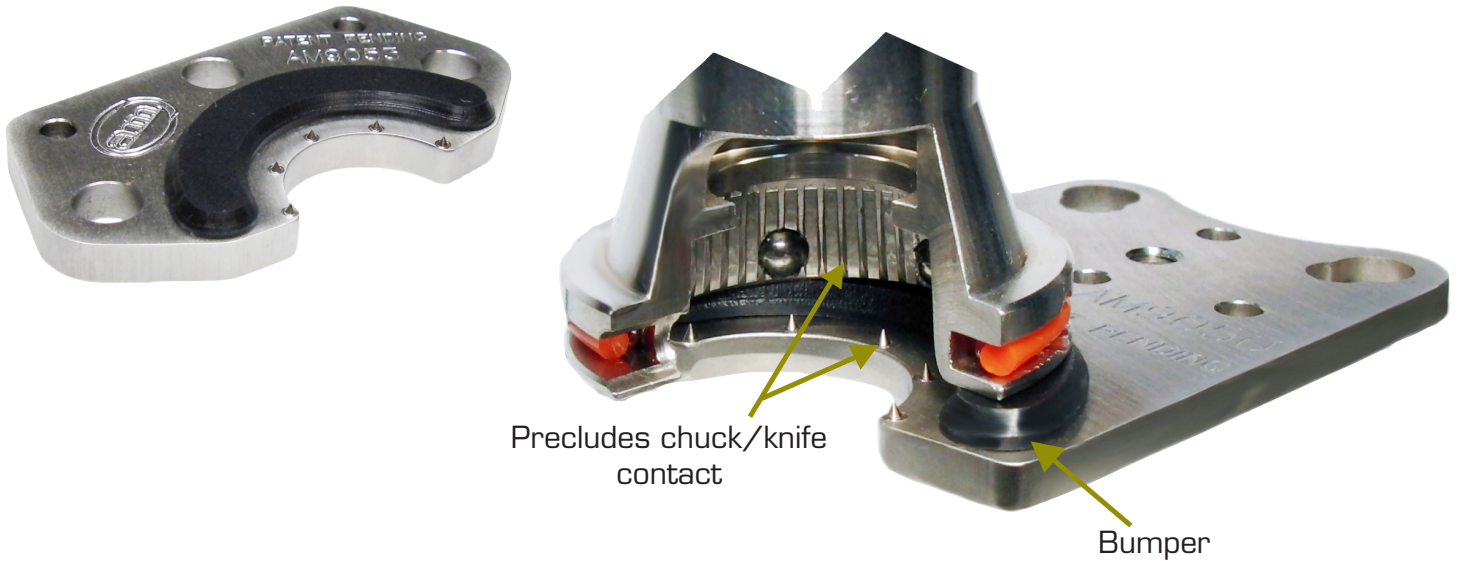


The next time you need top quality chucks, think of AMCO. You can trust AMCO for reliable, friendly service, and to provide you with only the best. Proudly serving you and the bottling industry for over 50 years.

Bumpered Knife Plates



SAVE KNIVES, SAVE CHUCKS



SHORT-HEIGHT CLOSURE ELEVATION SOLUTION



AMCO's exclusive bumpers eliminate the possibility of chuck and knife collision which allows the chuck elevation to be set as close to the knife as needed. This revolutionary design has saved operators countless hours in downtime and setup time.



GET THE FACTS @ WWW.KNIFEPLATES.COM

Call us at 1-800-643-2510 or e-mail us at sales@amcoprod.com

Custom Solutions

With AMCO's experienced team of engineers, we can design and manufacture almost any custom part you need. Whether it is for handling equipment, fillers, cappers, or crowners, AMCO can do it!



Call us toll free at 1-800-643-2510 today to discuss your plant's particular needs.

AMCO Replacement Parts



AMCO offers the industry's most comprehensive replacement parts inventory for Crown bottle and can fillers, Meyer bottle fillers (including New Generation), and Alcoa cappers.

AMCO has provided replacement parts to the bottling industry for over 50 years. Our service technicians have over 150 years combined experience repairing fillers, cappers and crowners.

*We have the parts.
We have the service.*

Audits, overhauls, complete rebuilds of fillers, cappers, crowners, soft drink and brewery industry mechanisms, all available right now.

When your machines are down or you need to perform proactive maintenance, call **AMCO!**



Increase Production With AMCO's
Reliable Replacement Parts.

AMCO Capping Head



AMCO's patented Magnetic Capping Head has been preferred by many in the bottling industry for its outstanding performance. Our head's superior performance is due in part to several unique features, including:

- Thrust bearing that absorbs the high vertical load that results from the occasional crushing of a bad or misaligned bottle. This dramatically reduces wear on the radial bearing.
- Patented magnetic clutch mechanism which is sealed from the harmful effects of the product, while maintaining a simple, external torque adjustment.

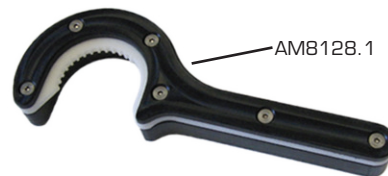
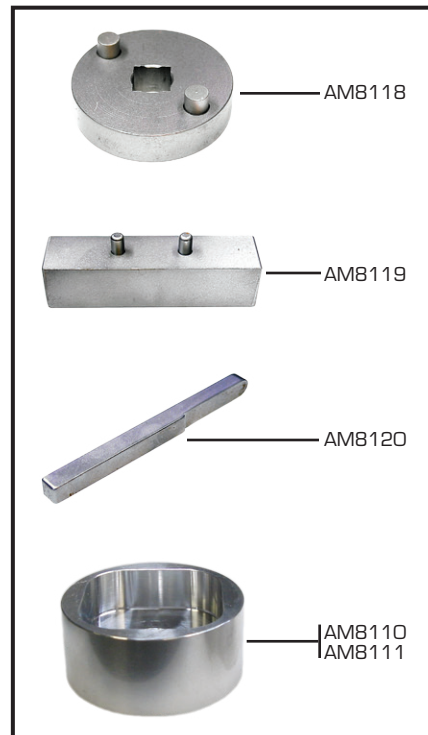


- The sleek, compact design of the AMCO Magnetic Capping Head allows it to be easily removed from the capper without raising the turret, greatly simplifying regular maintenance.



AMCO Capping Head

PLATINUM MAGNETIC CAPPING HEAD - AM8011



PART NO.	PART DESCRIPTION
AM8031	BEARING
AM8110	28MM CHUCK SOCKET
AM8111	38MM CHUCK SOCKET
AM8118	INNER MAGNET ASSY. WRENCH
AM8119	BEARING NUT WRENCH
AM8120	BEARING NUT LOCK
AM8121.3B	3.5MM DIA. S.S. BALL
AM8123	SOCKET HEAD HEX
AM8128.1	SLIDE BLOCK WRENCH
AM8132.1	THRUST WASHER
AM8134	INNER MAGNET ASSEMBLY
AM8138	BEARING NUT
AM8141.24	MAIN SPRING 24LB.
AM8154	SPINDLE BUSHING
AM8437	PIN, SPRING
AM8438	SCREW, RETAINING
AM8439	SPRING, S.S.
AM8440	BODY
AM8441	TOP CAP
AM8441.1	SPACER, TOP CAP
AM8451	MAIN SPRING 48LB.
AM8452	MAIN SPRING 68LB.
AM8458	SLIDE BLOCK 1K/2K THREAD
AM8461	SLIDE BLOCK SLEEVE
AM8466	SPIRAL RETAINING RING
AM8467.1	OUTER MAGNET ASSEMBLY

Call us at 1-800-643-2510 or e-mail us at sales@amcoprod.com

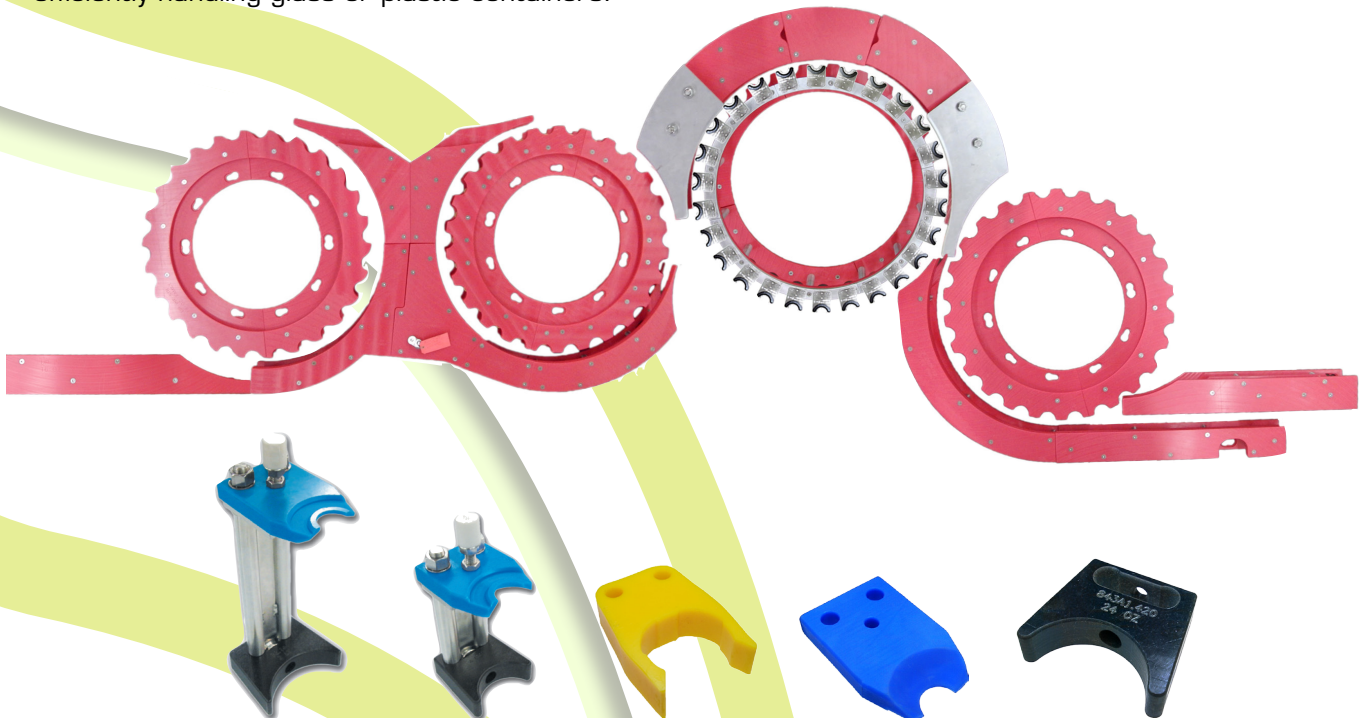
AMCO Handling Parts

QUICK-CHANGE/SNAP-ON, NO-TOOL, AND STANDARD STYLES

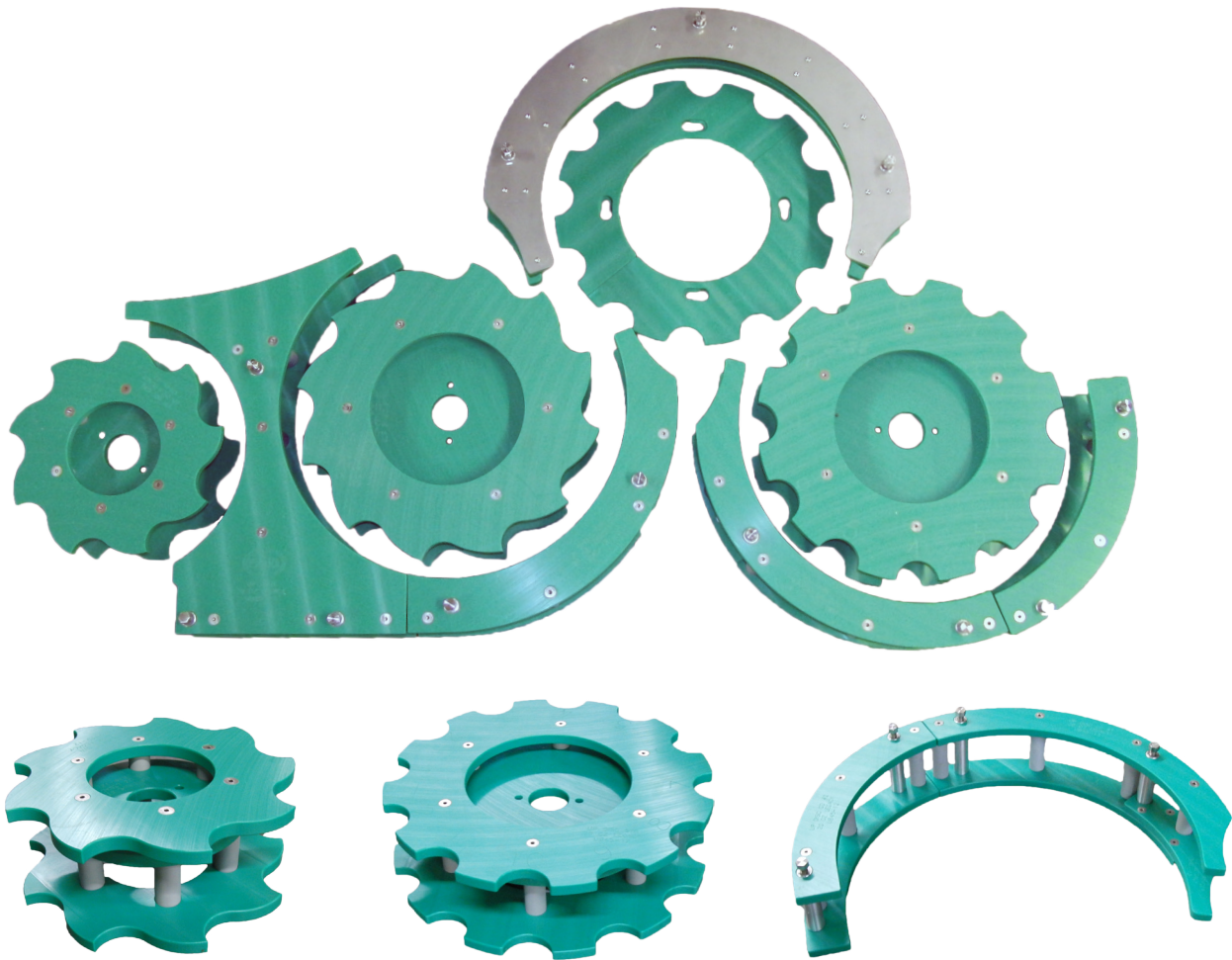
Designed for Your Unique Requirements



AMCO's bottle control parts are manufactured to precise tolerances from UHMW polyethylene, stainless steel, and aluminum. They exhibit exceptional wear resistance and toughness while quietly and efficiently handling glass or plastic containers.



AVAILABLE FOR ALL FILLERS & CAPPERS



AMCO offers bottle control parts designed for the unique requirements of each customer. Options include:

Quick-Change/Snap-On Control Parts - This requires a one-time modification to the existing OEM positioning system and necessitates the replacement of all the currently used control parts.

“New package” Quick-Change/Snap-On - For your previously modified machine.

Tool-Less Set - Utilizing hand knobs in place of hex head bolts mounted to the modified machine.

Traditional System - Utilizing the original OEM fixation points and hex head bolts for secure positioning.

WHEN ORDERING BOTTLE CONTROL PARTS, SPECIFY THE FILLER/
CAPPER SIZE, BOTTLE TYPE, AND SPECIFICATIONS.

AMCO Neck Supports

FOR CROWN, MEYER, & NEW GENERATION FILLERS

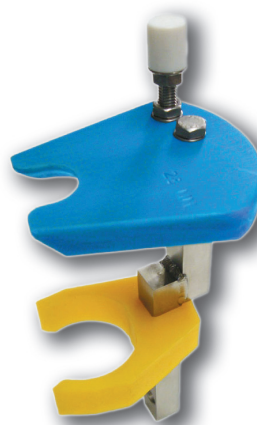
AMCO neck supports for PET bottles running on Crown, Meyer, and Meyer New Generation fillers are fabricated from stainless steel and include a gripper or backrest. For the Meyer New Generation filler, the AMCO neck support is used as both a neck support and a centering guide. The AMCO neck support clamps to the crown bottle support plate for superior rigidity and helps prevent “no-fills” and “short-fills” due to improper bottle sealing (particularly important with the lighter-weight PET bottles).



AMCO long neck support for Crown fillers.



AMCO short neck support for Crown fillers.

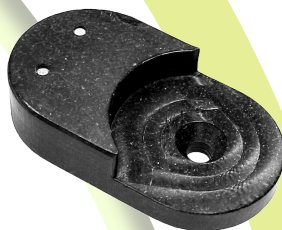
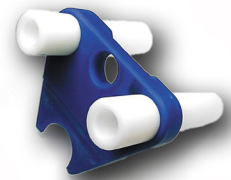


AMCO neck support for Meyer fillers.



AMCO neck support for Meyer New Generation fillers.

Replacement parts are also available and ready to ship for your current Neck Supports!

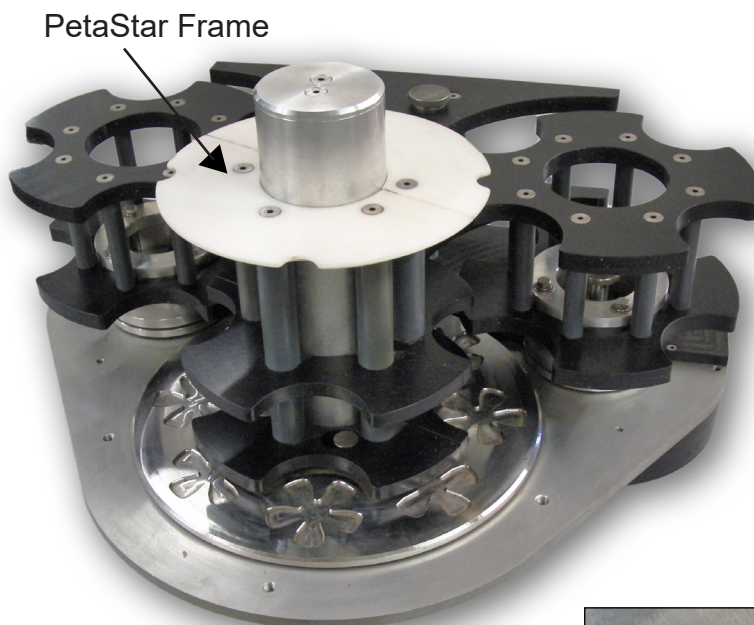


AMCO PetaDrive™ System

U.S. PATENT # 5,826,400



- No** spinning bottles
- No** plastic shaving piles
- No** sharp bottle spurs
- No** heavy clamp hubs



The patented AMCO PetaDrive™ engages a bottle's petaloid base to positively restrain rotation without the need for penetration of the bottle by the traditional knifestar.



PetaPlate

Rather than hanging by the neck on a knifestar, your PET bottles slide across the PetaPlate and rotate downward into the shallow nest. The bottle remains vertically constrained by the capping head and concentrically constrained by the PetaStar Frame. Upon removal of the capping head, the bottles are smoothly discharged laterally from the 1/8-in deep nest by the action of the discharge star and guide.

Changeover requires only the exchange of the interlocking PetaStar Frame. Because there is no top load on the neckstar, no heavy clamp hub is required. This allows the star system to operate as two half frames interlocked with complete circularity.

Once you've used the AMCO PetaDrive™ System, you'll wonder how you ever got along without it.

TITAN™

VALVE



U.S. PATENT # 6,244,309



- No screen to trap particles in bowl
- Strong, robust design eliminates downtime for repair
- Smooth, unobstructed laminar product flow
- In stock, ready to ship

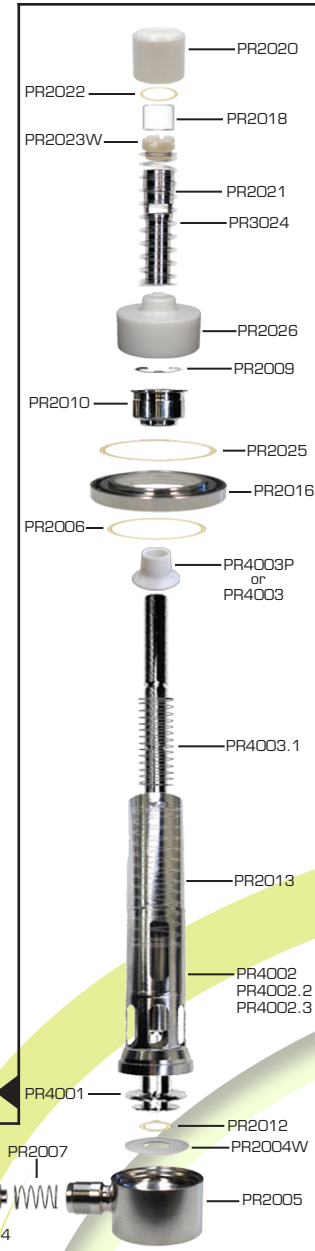
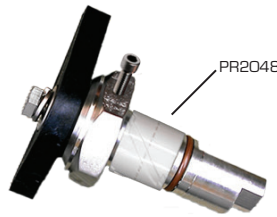
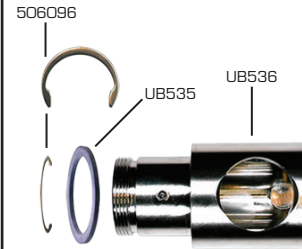
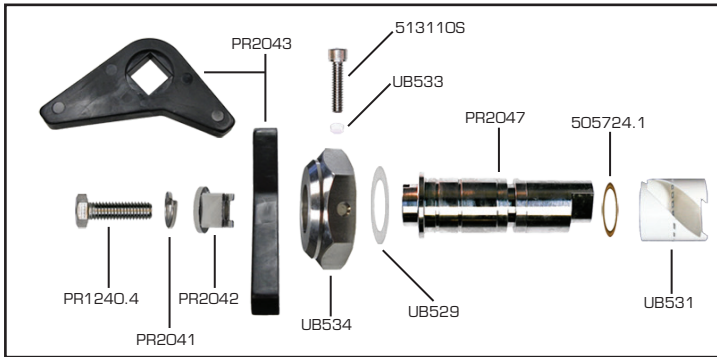


UPGRADE NOW

The TITAN valve is backed by over 50 years of AMCO service and support. If you're not ready to step up to the TITAN, AMCO also offers upgrades and replacement parts for all filling valves that can be shipped today!

REPLACEMENT PARTS FOR CROWN FILLERS

TITAN Filling Valve



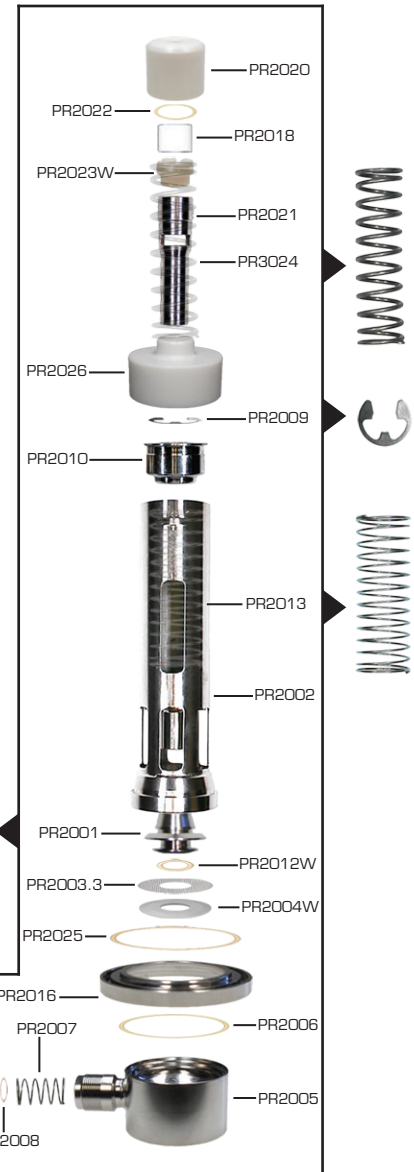
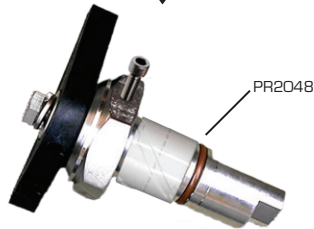
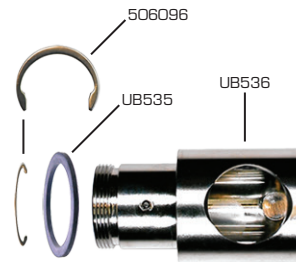
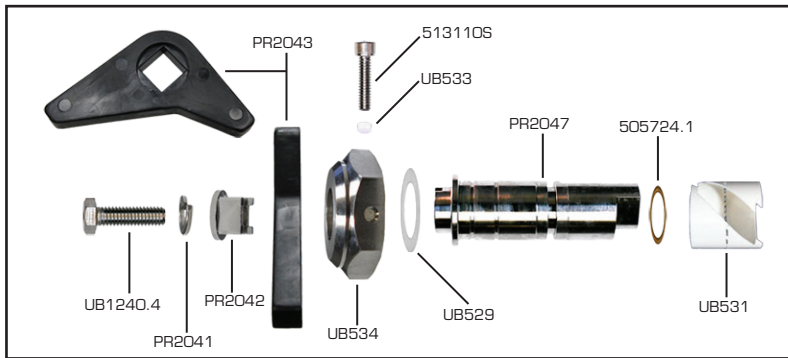
PART NO.	PART DESCRIPTION
505724.1	O-RING
506096	RETAINER RING STAINLESS STEEL
507894S	SET SCREW 1/4-20 x 1/4
PR2004W	LIQUID VALVE SEAL
PR2005	SNIFT & BODY ASSEMBLY
PR2006	VALVE BODY SEAL O-RING
PR2007	SNIFT PLUNGER SPRING
PR2008	SNIFT NUT SEAL O-RING
PR2009	VALVE STEM RETAINER
PR2010	VALVE STEM GUIDE
PR2011	SNIFT PLUNGER SEAL O-RING
PR2012	VENT TUBE SEAL O-RING
PR2013	FLUID VALVE SPRING
PR2014	SNIFT PLUNGER
PR2015	SNIFT NUT
PR2016	ADAPTER RING
PR2017S	VALVE RETAINER - OFF CENTER NOTCH
PR2017.1S	VALVE RETAINER - CENTER NOTCH
PR2018	CHARGING VALVE PISTON
PR2019YU	28MM BOTTLE SEALING RUBBER
PR2019.38BU	38MM BOTTLE SEALING RUBBER
PR2020	CHARGING VALVE CAP
PR2021	CHARGING VALVE BODY
PR2022	RETAINER O-RING
PR2023W	CHARGING VALVE SEAL
PR2025	ADAPTER RING SEAL O-RING
PR2026	CHARGING VALVE SPRING SEAT
PR2041	LOCK WASHER
PR2042	CAM ADAPTER
PR2043	OPERATING LEVER
PR2047	OPERATING CAM
PR3024	CHARGING VALVE SPRING
PR4000A	TITAN VALVE ASSEMBLY
PR4001	VALVE STEM
PR4002	SPRING CAGE
PR4003	SECONDARY VALVE, S.S.
PR4003P	SECONDARY VALVE, PLASTIC
PR4003.1	SECONDARY VALVE SPRING - HEAVY
PR4003.2	SECONDARY VALVE SPRING - LIGHT
PR4003.3	SECONDARY VALVE SPRING - MEDIUM
UB529	THRUST WASHER
UB531	RETAINER BEARING LINER
UB533	SCREW WASHER NYLON
UB534	CAM RETAINER NUT ASSEMBLY
UB535	CAM RETAINER SEAL
UB536	CAM RETAINER
UB1240.4	OPERATING LEVER BOLT 3/8-16



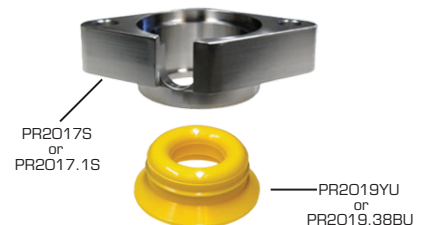
Call us at 1-800-643-2510 or e-mail us at sales@amcoprod.com

REPLACEMENT PARTS FOR CROWN FILLERS

Precision Bottle Filling Valve

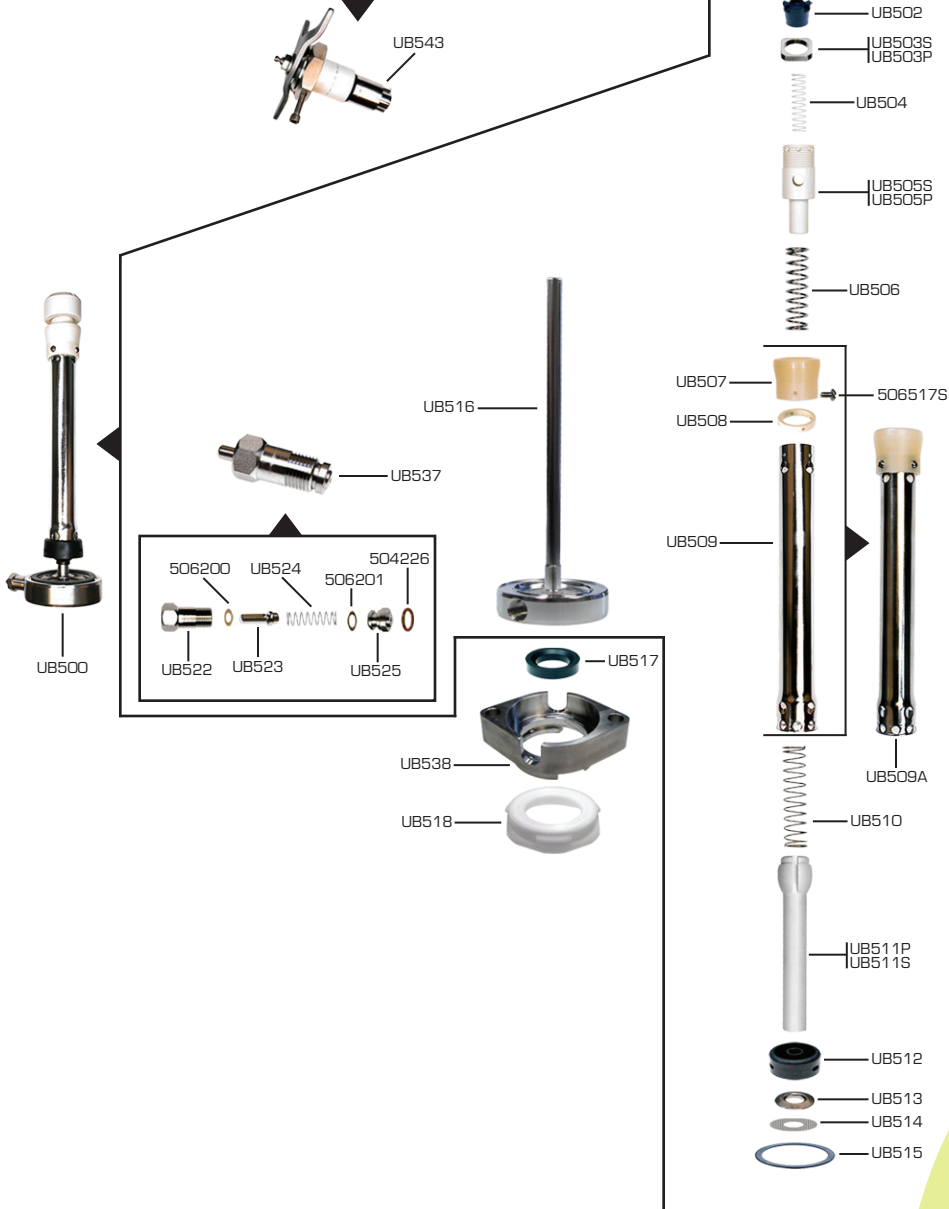
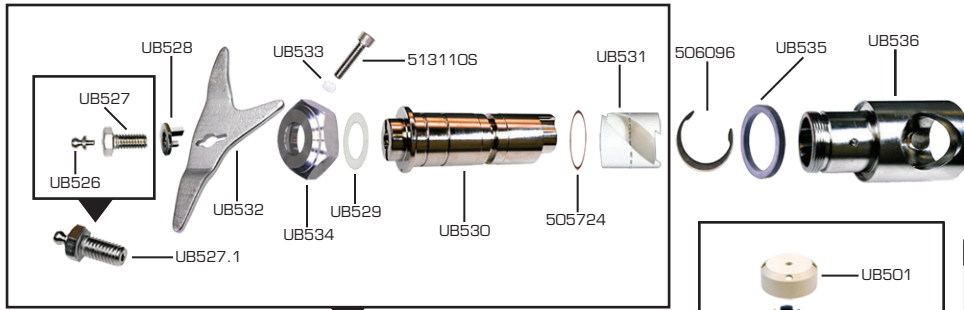


PART NO.	PART DESCRIPTION
505724.1	O-RING
506096	RETAINER RING S.S.
507894S	SCREW SKT SET 1/4-20 x 1/4
513110S	SCREW SKT HD SS 1/4-20 X 1"
PR2000A	VALVE ASSEMBLY
PR2001	FLUID VALVE STEM
PR2002	SPRING CAGE
PR2003.30	LIQUID SCREEN 30 MESH
PR2004W	LIQUID VALVE SEAL
PR2005	SNIFT & BODY ASSEMBLY
PR2006	VALVE BODY SEAL O-RING
PR2007	SNIFT PLUNGER SPRING
PR2008	SNIFT NUT SEAL O-RING
PR2009	VALVE STEM RETAINER
PR2010	VALVE STEM GUIDE
PR2011	SNIFT PLUNGER SEAL
PR2012	VENT TUBE SEAL O-RING
PR2013	FLUID VALVE SPRING
PR2014	SNIFT PLUNGER
PR2015	SNIFT NUT
PR2016	ADAPTER RING
PR2017S	MOUNTING PLATE (OFF CENTERED NOTCH)
PR2017.1S	MOUNTING PLATE (CENTERED NOTCH)
PR2018	CHARGING VALVE PISTON
PR2019	BOTTLE SEALING RUBBER 28MM
PR2019.38	BOTTLE SEALING RUBBER 38MM
PR2020	CHARGING VALVE CAP
PR2021	CHARGING VALVE BODY
PR2022	RETAINER O-RING
PR2023W	CHARGING VALVE SEAL
PR2025	ADAPTER RING SEAL O-RING
PR2026	CHARGING VALVE SPRING SEAT
PR2028.28	CENTERING BELL 28MM
PR2028.38	CENTERING BELL 38MM
PR2041	LOCK WASHER
PR2042	CAM ADAPTER
PR2043	OPERATING LEVER
PR2047	OPERATING CAM
PR2048	OPERATING CAM ASSEMBLY
PR3024	CHARGING VALVE SPRING
UB529	THRUST WASHER
UB531	RETAINER BEARING LINER
UB533	SCREW WASHER NYLON
UB534	CAM RETAINER NUT ASSY.
UB535	CAM RETAINER SEAL
UB536	CAM RETAINER
UB1240.4	3/8-16 HEX HEAD SCREW



REPLACEMENT PARTS FOR CROWN FILLERS

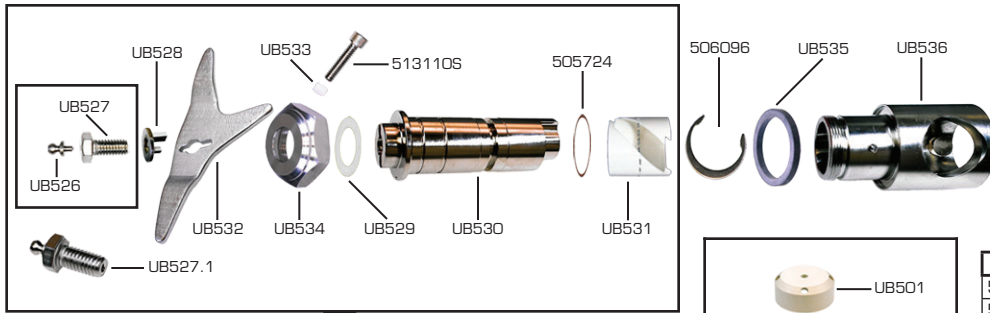
Hi-Flow Filling Valve



PART NO.	PART DESCRIPTION
504226	O-RING
505724	O-RING
506096	TRU-ARC RETAINING RING, S.S.
506200	O-RING
505201	O-RING
506517S	SCREW 4-40 X 3/16"
507894S	SET SCREW - HEADLESS SOCKET - 1/4-20 X 1/4", S.S.
513110S	SCREW SKT HD SS 1/4-20 X 1"
UB500S	COMPLETE FILLING VALVE ASSEMBLY
UB500P	COMPLETE FILLING VALVE ASSEMBLY
UB501	C' PRESSURE CAP RETAINER, PLASTIC
UB502	C' PRESSURE SEAL
UB503S	C' PRESSURE SEAL HOUSING, S.S.
UB503P	C' PRESSURE SEAL HOUSING, PLASTIC
UB504	C' PRESSURE SEAL SPRING
UB505S	C' PRESSURE CAP, S.S. (for hot sanitation)
UB505P	C' PRESSURE CAP, PLASTIC
UB506	SPRING
*UB507	FILLING VALVE SLEEVE CAP
UB508	FILLING VALVE SLEEVE INSERT
UB509	FILLING VALVE SLEEVE (specify overall length)
UB510	FILLING VALVE SLEEVE SPRING
UB511S	FILLING VALVE SLEEVE GUIDE, S.S.
UB511P	FILLING VALVE SLEEVE GUIDE, PLASTIC
UB512	FILLING VALVE SLEEVE SEAL
UB513	VALVE LIQUID SEAL WASHER
UB514	FILLING VALVE SCREEN
UB515	VALVE BODY SEAL
UB516	FILLING VALVE BODY & TUBE ASSY.
UB517	BOTTLE SEALING RUBBER
UB518	FILLING VALVE BELL
UB522	SNIFT VALVE BODY
UB523	SNIFT VALVE PLUNGER
UB524	SNIFT VALVE SPRING
UB525	SNIFT VALVE PLUG
UB526	LUBRICANT FITTING, S.S. (Drive Type)
UB527	3/8-16 x 3/4" HEX HEAD SCREW, S.S. (drilled for Drive-Type fitting)
UB527.1	SCREW WITH FITTING 3/8-16 x 3/4"
UB528	SHEAR WASHER FOR UB530 OPERATING CAM
UB529	THRUST WASHER
UB530	VALVE OPERATING CAM
UB531	RETAINER BEARING LINER
UB532	FILLING VALVE OPERATING LEVER
UB533	VALVE OPERATING CAM RETAINER NUT SET SCREW WASHER, NYLON
UB534	VALVE OPERATING CAM RETAINER NUT - INCL. UB533 WASHER & 507894S SET SCREW
UB535	VALVE OPERATING CAM RETAINER SEAL
UB536	VALVE OPERATING CAM RETAINER KEY & STOP ASSY.
UB537	SNIFT BODY & PLUNGER ASSEMBLY
UB538	FILLING VALVE RETAINER (Cam Lock Type)
UB543	VALVE OPERATING CAM ASSY. (specify filler size)

REPLACEMENT PARTS FOR CROWN FILLERS

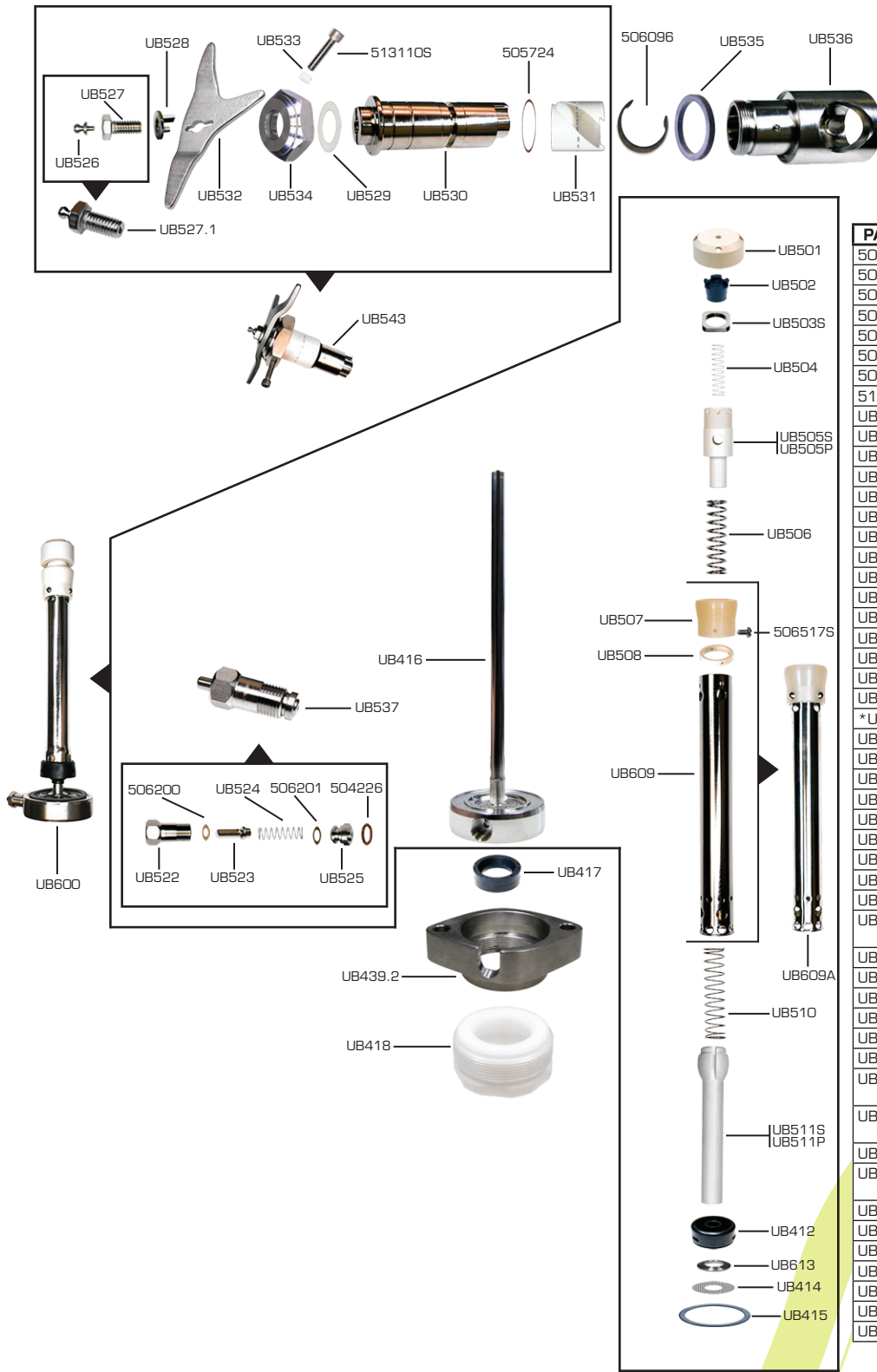
Super Hi-Flow Filling Valve



PART NO.	PART DESCRIPTION
504226	O-RING
505724	O-RING
506096	TRU-ARC RETAINING RING, S.S.
506200	O-RING
506201	O-RING
506417S	SCREW 4-40 x 3/16"
507894S	SET SCREW - HEADLESS SOCKET - 1/4-20 x 1/4", S.S.
513110S	SCREW SKT HD SS 1/4-20 X 1"
UB501	C' PRESSURE CAP RETAINER, PLASTIC
UB502	C' PRESSURE SEAL
UB503S	C' PRESSURE SEAL HOUSING, S.S.
UB503P	C' PRESSURE SEAL HOUSING, PLASTIC
UB504	C' PRESSURE SEAL SPRING
UB505S	C' PRESSURE CAP, S.S. (for hot sanitation)
UB505P	C' PRESSURE CAP, PLASTIC
UB506	SPRING
*UB507	FILLING VALVE SLEEVE CAP
UB508	FILLING VALVE SLEEVE INSERT
UB509	FILLING VALVE SLEEVE (specify overall length)
UB509A	FILLING VALVE SLEEVE ASSY.
UB510	FILLING VALVE SLEEVE SPRING
UB515	VALVE BODY SEAL
UB526	LUBRICANT FITTING, S.S. (Drive Type)
UB527	3/8-16 x 3/4" HEX HEAD SCREW S.S. (drilled for Drive Type fitting)
UB527.1	SCREW WITH FITTING 3/8-16 x 3/4"
UB528	SHEAR WASHER FOR UB530 OPERATING CAM
UB529	THRUST WASHER
UB530	VALVE OPERATING CAM
UB531	RETAINER BEARING LINER
UB532	FILLING VALVE OPERATING LEVER (specify filler size)
UB533	VALVE OPERATING CAM RETAINER NUT SET SCREW WASHER, NYLON
UB534	VALVE OPERATING CAM RETAINER NUT - INCL. UB533 WASHER & 507894S SET SCREW
UB535	VALVE OPERATING CAM RETAINER SEAL
UB536	VALVE OPERATING CAM RETAINER KEY & STOP ASSY.
UB543	VALVE OPERATING CAM ASSY. (specify filler size)
UB700S	COMPLETE FILLING VALVE ASSY.
UB700P	COMPLETE FILLING VALVE ASSEMBLY
UB711S	FILLING VALVE SLEEVE GUIDE, S.S.
UB711P	FILLING VALVE SLEEVE GUIDE, PLASTIC
UB712	FILLING VALVE SLEEVE SEAL
UB713	VALVE LIQUID SEAL WASHER
UB714	FILLING VALVE SCREEN
UB715	FILLING VALVE SCREEN
UB716	FILLING VALVE BODY & TUBE ASSY.
UB717	BOTTLE SEALING RUBBER
UB718	FILLING VALVE BELL
UB722	SNIFT VALVE BODY
UB723	SNIFT VALVE PLUNGER
UB724	SNIFT VALVE SPRING
UB725	SNIFT VALVE PLUG
UB737	SNIFT BODY & PLUNGER ASSY.
UB738	FILLING VALVE RETAINER (Cam Lock Type)
VT312	VENT TUBE 5/16" DIA. SLOTTED, DRILLED OR BLANK (sample or description with first order)
VT312.1	LIQUID SPREADER, RUBBER
VT312.2	ADJUSTING SLEEVE (specify length)

REPLACEMENT PARTS FOR CROWN FILLERS

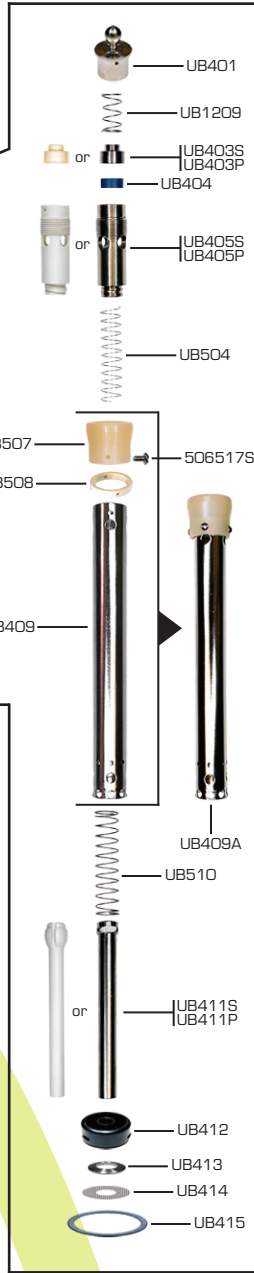
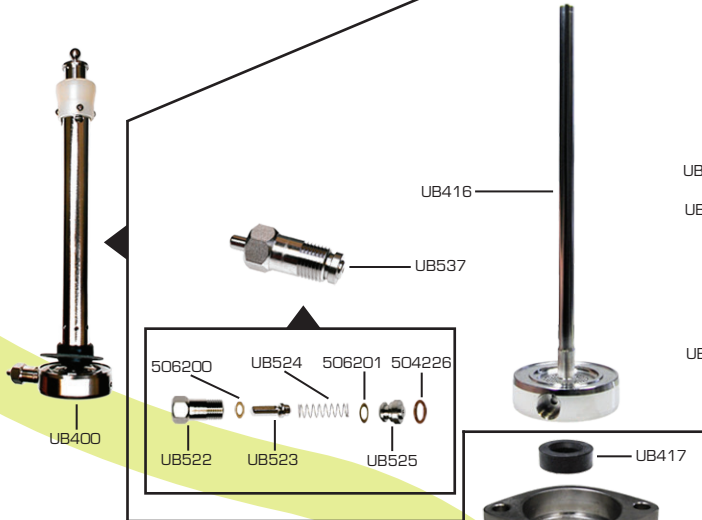
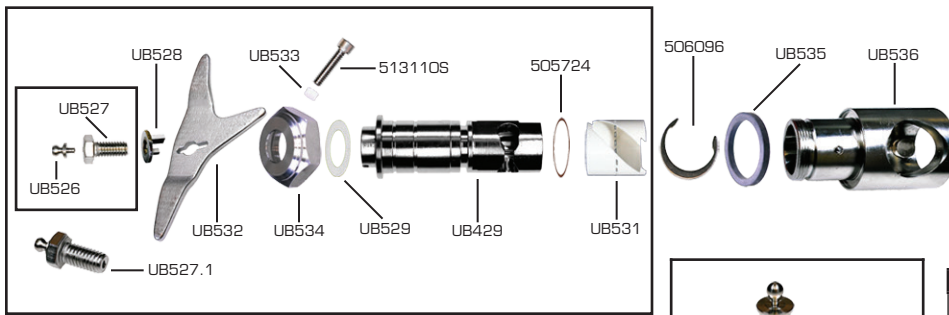
Hybrid Filling Valve



PART NO.	PART DESCRIPTION
504226	O-RING
505724	O-RING
506096	TRU-ARC RETAINING RING, S.S.
506200	O-RING
506201	O-RING
506417S	SCREW 4-40 x 3/16"
507894S	SET SCREW - HEADLESS SOCKET - 1/4-20 x 1/4", S.S.
516110S	SCREW SKT HD SS 1/4-20 X 1"
UB412	FILLING VALVE SLEEVE
UB414	FILLING VALVE SCREEN
UB415	VALVE BODY SEAL
UB416	FILLING VALVE BODY & TUBE ASSY.
UB417	BOTTLE SEALING RUBBER
UB418	FILLING VALVE BELL THREADED TYPE
UB439.2	FILLING VALVE RETAINER (threaded)
UB501	C' PRESSURE CAP RETAINER, PLASTIC
UB502	C' PRESSURE SEAL
UB503S	C' PRESSURE SEAL HOUSING, S.S.
UB503P	C' PRESSURE SEAL HOUSING, PLASTIC
UB504	C' PRESSURE SEAL SPRING
UB505S	C' PRESSURE CAP, S.S. (for hot sanitation)
UB505P	C' PRESSURE CAP, PLASTIC
UB506	SPRING
*UB507	FILLING VALVE SLEEVE CAP
UB508	FILLING VALVE SLEEVE INSERT
UB510	FILLING VALVE SLEEVE SPRING
UB511S	FILLING VALVE SLEEVE GUIDE, S.S.
UB511P	FILLING VALVE SLEEVE GUIDE, PLASTIC
UB522	SNIFT VALVE BODY
UB523	SNIFT VALVE PLUNGER
UB524	SNIFT VALVE SPRING
UB525	SNIFT VALVE PLUG
UB526	LUBRICANT FITTING, S.S. (Drive Type)
UB527	3/8-16 x 3/4" HEX HEAD SCREW, S.S. (drilled for Drive Type fitting)
UB527.1	SCREW WITH FITTING 3/8-16 x 3/4"
UB528	SHEAR WASHER FOR UB530 OPERATING CAM
UB529	THRUST WASHER
UB530	VALVE OPERATING CAM
UB531	RETAINER BEARING LINER
UB532	FILLING VALVE OPERATING LEVER
UB533	VALVE OPERATING CAM RETAINER NUT SET SCREW WASHER, NYLON
UB534	VALVE OPERATING CAM RETAINER BUT - INCL. UB533 WASHER & 507894S SET SCREW
UB535	VALVE OPERATING CAM RETAINER SEAL
UB536	VALVE OPERATING CAM RETAINER KEY & STOP ASSY.
UB537	SNIFT BODY & PLUNGER ASSEMBLY
UB543	VALVE OPERATING CAM ASSY. (specify filler size)
UB600S	COMPLETE FILLING VALVE ASSY.
UB600P	COMPLETE FILLING VALVE ASSY.
UB609	FILLING VALVE SLEEVE
UB609A	FILLING VALVE SLEEVE ASSY.
UB613	VALVE LIQUID SEAL WASHER

REPLACEMENT PARTS FOR CROWN FILLERS

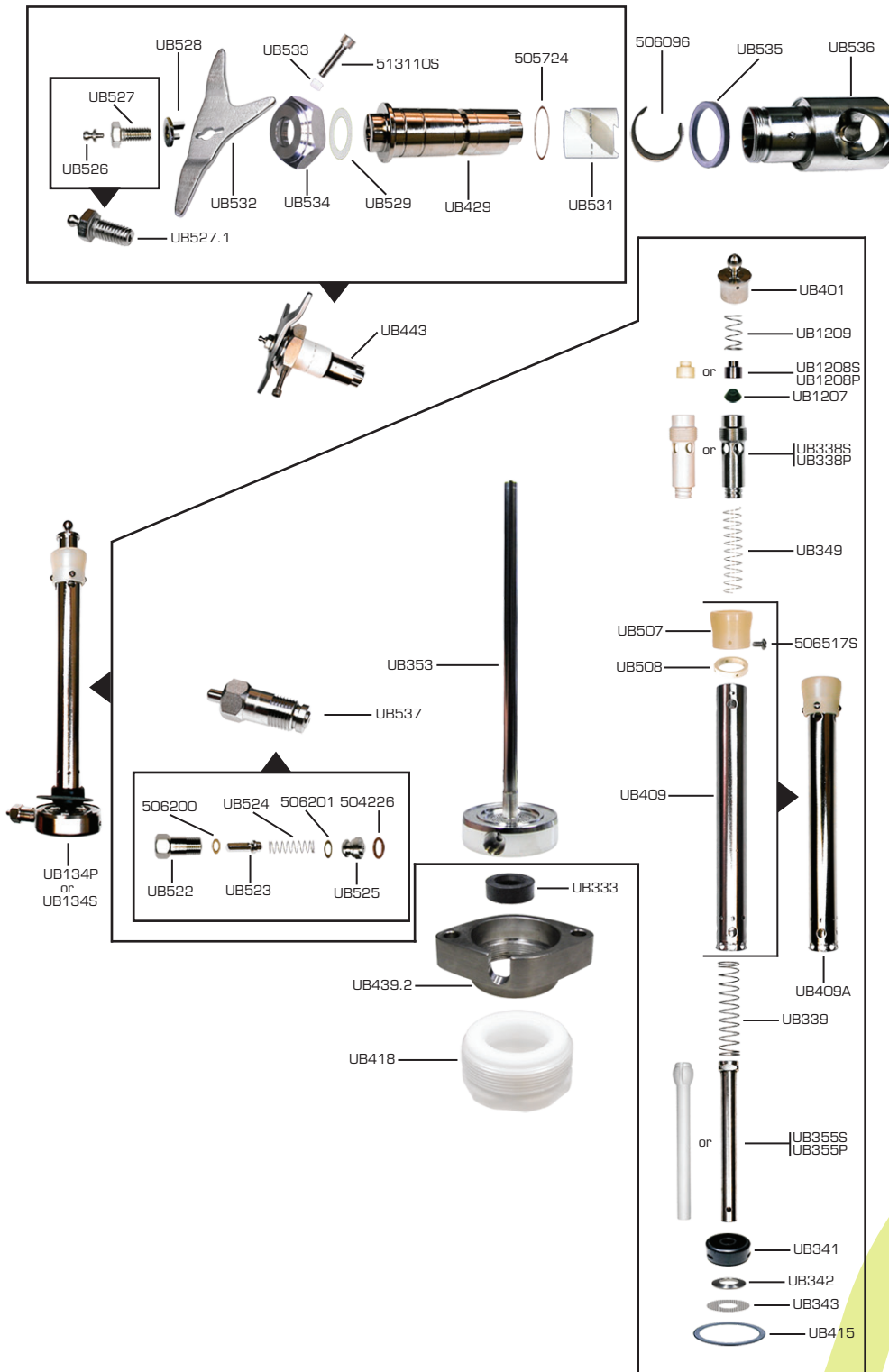
Super Filling Valve



PART NO.	PART DESCRIPTION
504226	O-RING
505724	O-RING
506096	TRU-ARC RETAINING RING, S.S.
506200	O-RING
506201	O-RING
506517S	SCREW 4 - 40 x 3/16
507894S	SET SCREW - HEADLESS SOCKET - 1/4-20 x 1/4", S.S.
513110S	SCREW SKT HD SS 1/4-20 X 1"
UB400S	COMPLETE FILLING VALVE ASSY.
UB400P	COMPLETE FILLING VALVE ASSY, PLASTIC
UB401	C' PRESSURE CAP RETAINER
UB403S	C' PRESSURE SPRING GUIDE, S.S.
UB403P	C' PRESSURE SPRING GUIDE, PLASTIC
UB404	C' PRESSURE SEAL
UB405S	C' PRESSURE CAP, S.S. (for hot sanitation)
UB405P	C' PRESSURE CAP, PLASTIC
UB409	FILLING VALVE SLEEVE
UB409A	FILLING VALVE SLEEVE ASSY.
UB411S	FILLING VALVE SLEEVE GUIDE, S.S.
UB411P	FILLING VALVE SLEEVE GUIDE, PLASTIC
UB412	FILLING VALVE SLEEVE SEAL
UB413	VALVE LIQUID SEAL WASHER
UB414	FILLING VALVE SCREEN
UB415	VALVE BODY SEAL
UB416	FILLING VALVE BODY & TUBE ASSY.
UB417	BOTTLE SEALING RUBBER
UB418	FILLING VALVE BELL, THREADED TYPE
UB429	VALVE OPERATING CAM, SLOTTED TYPE
UB439.2	FILLING VALVE RETAINER (threaded)
UB443	VALVE OPERATING CAM ASSY. (specify filler size)
UB504	C' PRESSURE SEAL SPRING (specify "heavy" if using UB405 S.S.)
*UB507	FILLING VALVE SLEEVE CAP
UB508	FILLING VALVE SLEEVE INSERT
UB510	FILLING VALVE SLEEVE SPRING
UB522	SNIFT VALVE BODY
UB523	SNIFT VALVE PLUNGER
UB524	SNIFT VALVE SPRING
UB525	SNIFT VALVE PLUG
UB526	LUBRICANT FITTING, S.S. (Drive-Type)
UB527	3/8-16 x 3/4" HEX HEAD SCREW, S.S.
UB527.1	SCREW WITH FITTING 3/8-16 x 3/4"
UB528	SHEAR WASHER FOR UB429 OPERATING CAM
UB529	THRUST WASHER
UB531	RETAINER BEARING LINER
UB532	FILLING VALVE OPERATING LEVER (specify filler size)
UB533	VALVE OPERATING CAM RETAINER NUT SET SCREW WASHER, NYLON
UB534	VALVE OPERATING CAM RETAINER NUT - INCLUDES UB533 WASHER & 507894S SET SCREW
UB535	VALVE OPERATING CAM RETAINER SEAL
UB536	VALVE OPERATING CAM RETAINER KEY & STOP ASSY.
UB537	SNIFT BODY & PLUNGER ASSY.
UB1209	COMPENSATING SPRING

REPLACEMENT PARTS FOR CROWN FILLERS

Standard Filling Valve



PART NO.	PART DESCRIPTION
504226	O-RING
505724	O-RING
506096	TRU-ARC RETAINING RING, S.S.
506200	O-RING
506201	O-RING
506517S	SCREW 4- 40 x 3/16"
507894S	SET SCREW - HEADLESS SOCKET - 1/4-20 x 1/4", S.S.
513110S	SCREW SKT HD SS 1/4-20 x 1"
UB134S	COMPLETE FILLING VALE ASSY.
UB134P	COMPLETE FILLING VALVE ASSY, PLASTIC
UB333	BOTTLE SEALING RUBBER
UB338S	C' PRESSURE CAP, S.S. (for hot sanitation)
UB338P	C' PRESSURE CAP, PLASTIC
UB339	FILLING VALVE SLEEVE SPRING
UB341	FILLING VALVE SLEEVE SEAL
UB342	VALVE LIQUID SEAL WASHER
UB343	FILLING VALVE SCREEN
UB349	C' PRESSURE SPING (specify "heavy" if using UB338 S.S.)
UB353	FILING VALVE BODY & TUBE ASSY.
UB355S	FILLING VALVE SLEEVE GUIDE, S.S.
UB355P	FILLING VALVE SLEEVE GUIDE, PLASTIC
UB401	C' PRESSURE CAP RETAINER
UB409	FILLING VALVE SLEEVE
UB409A	FILLING VALVE SLEEVE ASSY.
UB415	VALVE BODY SEAL
UB418	FILLING VALVE BELL, THREADED TYPE
UB429	VALVE OPERATING CAM, SLOTTED TYPE
UB439.2	FILLING VALVE RETAINER (threaded)
UB443	VALVE OPERATING CAM ASSY. (specify filler size)
* UB507	FILLING VALVE SLEEVE CAP
UB508	FILLING VALVE SLEEVE INSERT
UB522	SNIFT VALVE BODY
UB523	SNIFT VALVE PLUNGER
UB524	SNIFT VALVE SPRING
UB525	SNIFT VALVE PLUG
UB526	LUBRICANT FITTING, S.S. (drive-type)
UB527	3/8-16 x 3/4" HEX HEAD SCREW, S.S. (drilled for drive-type fitting)
UB527.1	SCREW WITH FITTING 3/8-16 x 3/4"
UB528	SHEAR WASHER FOR UB429 OPERATING CAM
UB529	THRUST WASHER
UB531	RETAINER BEARING LINER
UB532	FILLING VALVE OPERATING LEVER (specify filler size)
UB533	VALVE OPERATING CAM RETAINER NUT SET SCREW WASHER, NYLON
UB534	VALVE OPERATING CAM RETAINER NUT - INCLUDES UB533 WASHER & 507894S SET SCREW
UB535	VALVE OPERATING CAM RETAINER SEAL
UB536	VALVE OPERATING CAM RETAINER KEY & STOP ASSY.
UB537	SNIFT BODY & PLUNGER ASSY.
UB1207	C' PRESSURE SEAL
UB1208S	COMPENSATING GUIDE, S.S. (for hot sanitation)
UB1208P	COMPENSATING GUIDE, PLASTIC
UB1209	COMPENSATING SPRING

REPLACEMENT PARTS FOR CROWN FILLERS

Bottle Lift Cylinders



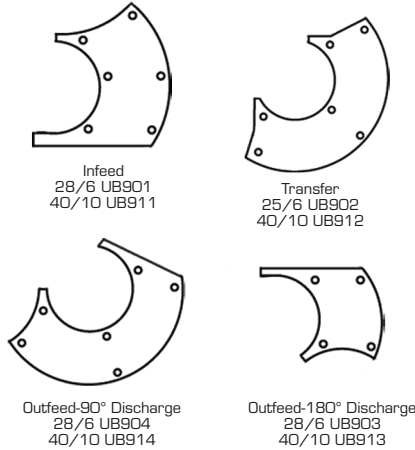
PART NO.	PART DESCRIPTION
UB800	BOTTLE GRIPPER PIN
UB801	BOTTLE GRIPPER PIN, UNDERCUT
UB802	BOTTLE GRIPPER (specify filler/crowner size & bottle dia.)
UB803	GRIPPER PIN RETAINING RING, S.S.
UB804	SCREW
UB805	BOTTLE SUPPORT (specify filler/crowner size) (rebuild also)
UB805.1	BOTTLE SUPPORT WEAR PLATE (narrow), S.S. (specify filler/crowner size)
UB805.2	BOTTLE SUPPORT WEAR PLATE (wide), S.S. (specify filler/crowner size)
UB805.3	BOTTLE SUPPORT WEAR PLATE (wide), STELLITE (specify filler/crowner size)
UB806	BOTTLE GRIPPER RETAINING PIN
UB807	BOTTLE GRIPPER RETAINING PIN SPRING
UB808	BOTTLE GRIPPER RETAINING PIN SPRING COLLAR
UB809	BOTTLE GRIPPER RETAINING PIN COLLAR (KNOB)
UB810	ROLL PIN, S.S.
UB811	BOTTLE SUPPORT RETAINING PIN ASSY. - INCLUDES UB806 THRU UB810
UB812	BOTTLE SUPPORT & RETAINING PIN ASSY. - INCL. UB805 THRU UB810 (specify filler/crowner size)
UB813	BOTTLE GRIPPER & GRIPPER PIN ASSY. - INCLUDES UB800 THRU UB803 (specify filler/crowner size & bottle dia.)
UB814	BOTTLE CYLINDER CAM BLOCK, BRASS
UB815	LIFT CYLINDER BUSHING
UB815.2	LIFT CYLINDER BUSHING, FLANGE TYPE
UB816.05	SHIM (.005")
UB816.10	SHIM (.010")
UB816.16	SHIM (.016")
UB816.32	SHIM (.032")
UB817	CYLINDER END DOWEL PIN (specify 3/4" or 1" long)
UB818	LIFT CYLINDER & PLUG ASSEMBLY
UB819	LIFT CYLINDER END - INCLUDES UB817 PIN
UB820	NECK SUPPORT & BACKREST ASSEMBLY (specify filler size and PET bottle size)
UB821	LIFT PISTON ASSY. - INCLUDES. UB822 THRU UB826
UB822	LIFT CUP SCREW
UB823	LIFT CUP WASHER
UB824	CYLINDER CUP
UB825	LIFT PISTON & FLANGE ASSEMBLY
UB826	MANIFOLD GASKET

REPLACEMENT PARTS FOR CROWN FILLERS

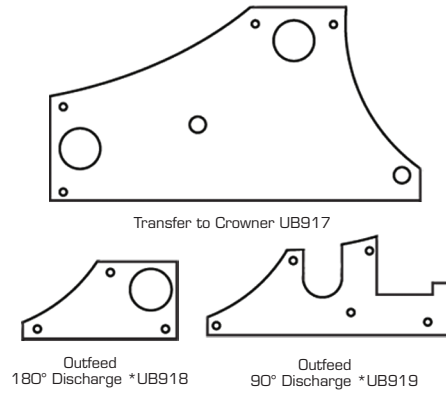
Bottle Wear Plates



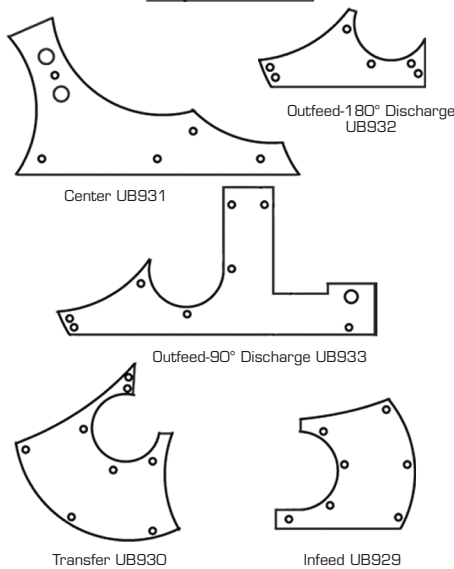
28 VALVE AND 40 VALVE FILLER



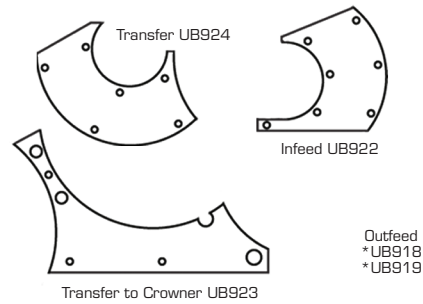
50 - 60 -72 VALVE FILLERS 1-PIECE INFEED/TRANSFER



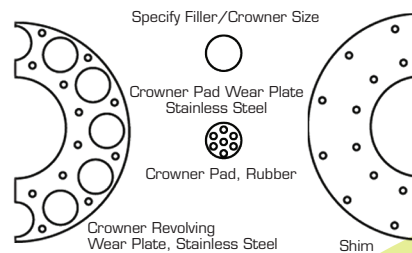
45/6 FILLER



50 - 60 - 72 VALVE FILLERS 3-PIECE INFEED/TRANSFER



CROWNER REVOLVING WEAR PLATE/PADS/SHIM

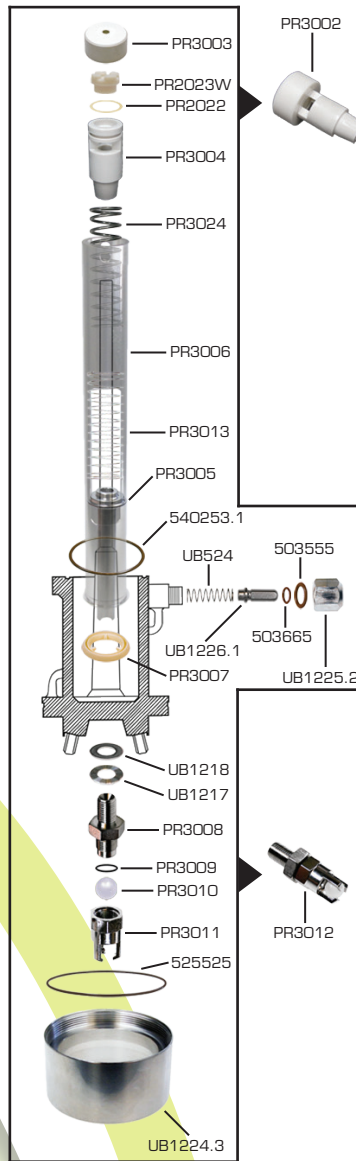
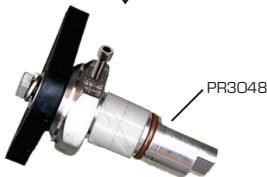
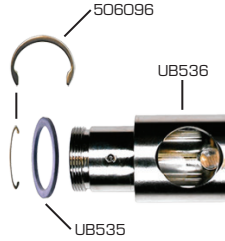
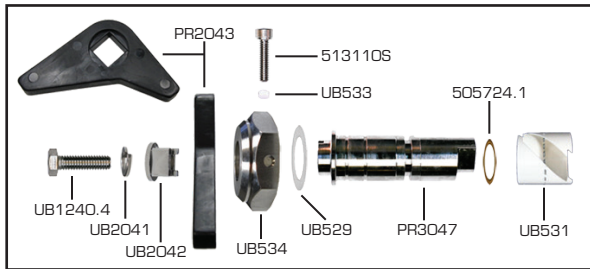


PART NO.	PART DESCRIPTION
28 VALVE AND 40 VALVE FILLERS	
UB901	INFEED WEAR PLATE 28 VALVE
UB902	TRANSFER WEAR PLATE 28 VALVE
UB903	OUTFEED WEAR PLATE 180° DISCHARGE 28 VALVE
UB904	OUTFEED WEAR PLATE 90° DISCHARGE 28 VALVE
UB911	INFEED WEAR PLATE 40 VALVE
UB912	TRANSFER WEAR PLATE 40 VALVE
UB913	OUTFEED WEAR PLATE 180° DISCHARGE 40 VALVE
UB914	OUTFEED WEAR PLATE 90° DISCHARGE 40 VALVE
45/6 FILLER	
UB929	INFEED WEAR PLATE
UB930	TRANSFER WEAR PLATE
UB931	CENTER WEAR PLATE
UB932	OUTFEED WEAR PLATE 180° DISCHARGE 40 VALVE
UB933	OUTFEED WEAR PLATE 90° DISCHARGE 40 VALVE

PART NO.	PART DESCRIPTION
50-60-72 FILLERS 1-PIECE INFEED/TRANSFER	
UB917	TRANSFER TO CROWNER WEAR PLATE
UB918	OUTFEED WEAR PLATE 180° DISCHARGE
UB919	OUTFEED WEAR PLATE 90° DISCHARGE
50-60-72 FILLERS 3-PIECE INFEED/CENTER/TRANSFER	
UB918	OUTFEED WEAR PLATE 180° DISCHARGE
UB919	OUTFEED WEAR PLATE 90° DISCHARGE
UB922	INFEED WEAR PLATE
UB923	TRANSFER TO CROWNER WEAR PLATE (CENTER)
UB924	TRANSFER WEAR PLATE
CROWNER REVOLVING WEAR PLATE/PADS/SHIM	
SPECIFY NUMBER OF CROWNER HEADS	
CROWNER REVOLVING WEAR PLATE, S.S.	
CROWNER REVOLVING WEAR PLATE SHIM	
CROWNER PAD WEAR PLATE, S.S.	
CROWNER PAD, RUBBER	

REPLACEMENT PARTS FOR CROWN FILLERS

Precision Can Filling Valve

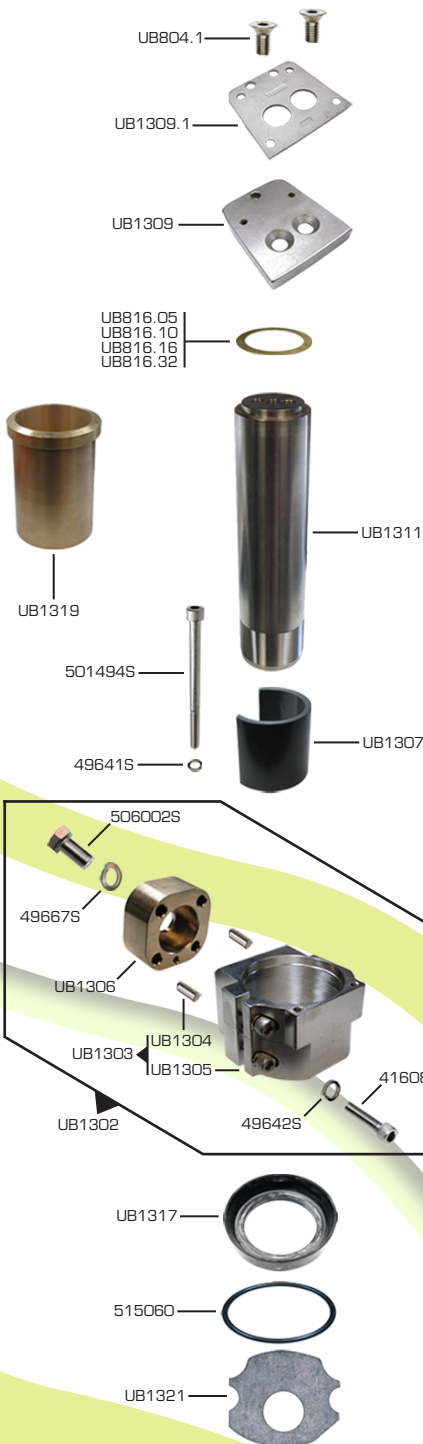


PART NO.	PART DESCRIPTION
503555	O-RING
503665	O-RING
505724.1	O-RING
506096	RETAINER RING S.S.
513110S	SCREW HD S.S. 1/4-20 x 5/8
525525	O-RING
540253.1	BODY SEAL
PR2013	FLUID VALVE SPRING
PR2022	CHARGING VALVE CAP O-RING
PR2023	CHARGING VALVE SEAL
PR2024	CHARGING VALVE SPRING
PR2041	LOCK WASHER
PR2042	CAM ADAPTER
PR2043	OPERATING LEVER
PR2048	OPERATING CAM ASSEMBLY
PR3000	CONVERSION KIT CPT
PR3002	CHARGING VALVE ASSEMBLY
PR3003	CHARGING VALVE CAP
PR3004	CHARGING VALVE BODY
PR3005	SPRING SEAT
PR3006	SLEEVE
PR3007	LIQUID SEAL
PR3008	BALL CAGE ADAPTER
PR3009	BALL CAGE O-RING
PR3010	BALL 3/8"
PR3011	BALL CAGE
PR3012	BALL CAGE ASSEMBLY
PR3047	OPERATING CAM
PR3048	OPERATING CAM ASSEMBLY
UB524	SNIFT VALVE SPRING
UB529	THRUST WASHER
UB531	RETAINER BEARING LINER
UB533	SCREW WASHER NYLON
UB535	CAM RETAINER SEAL
UB536	CAM RETAINER
UB1217	BALL CHECK SPACERS (1/64, 1/32, 1/16)
UB1218	BALL CHECK SEAT WASHER
UB1224.3	BELL
UB1225.2	SNIFT VALVE SEAT
UB1226.1	SNIFT VALVE PLUNGER
UB1231	CAM RETAINER NUT ASSEMBLY
UB1240.4	3/8-16 HEX HEAD SCREW

REPLACEMENT PARTS FOR CROWN FILLERS

Can Lift Cylinder

CROWN CAN LIFT CYLINDER/AIR LIFT

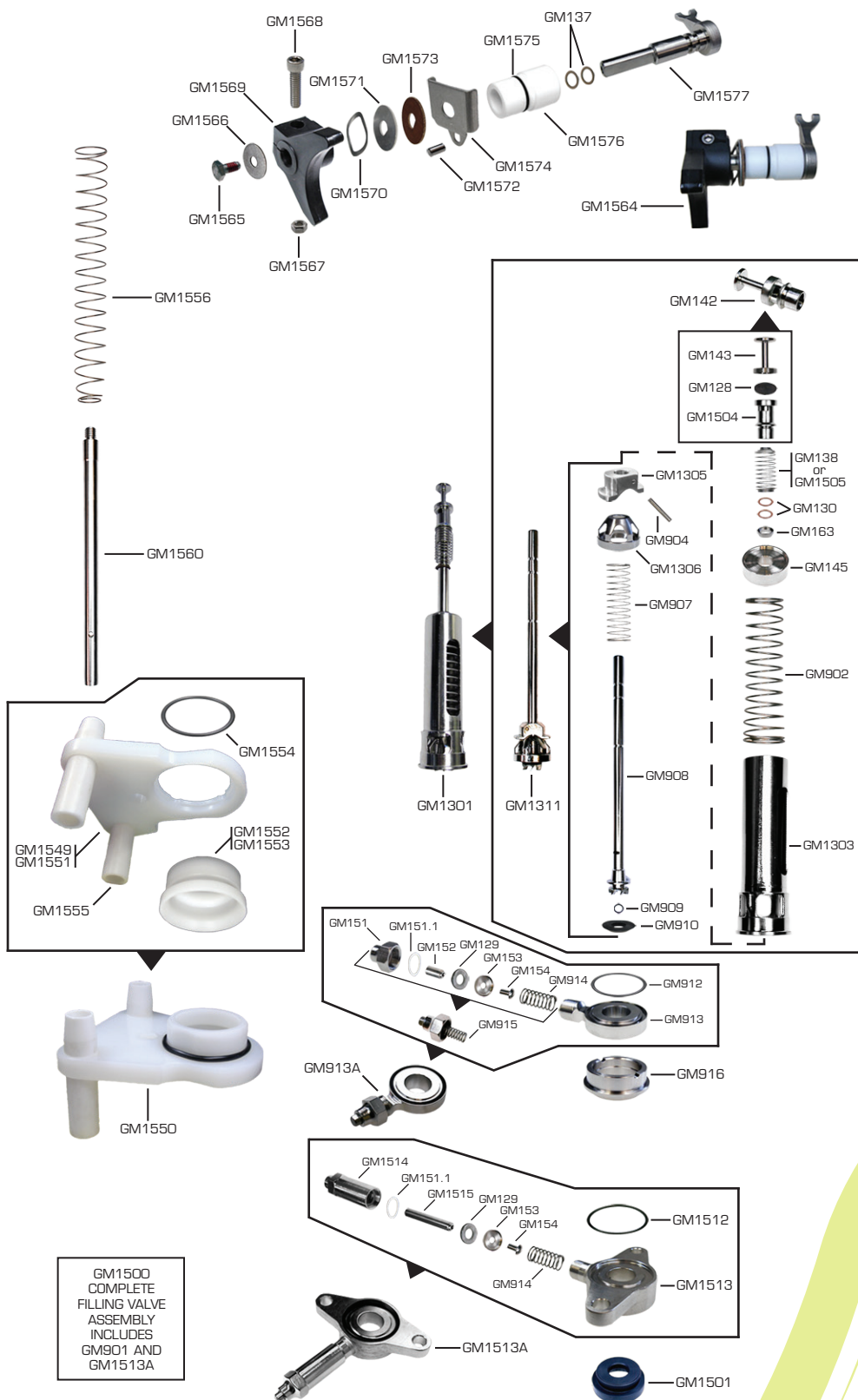


CROWN CAN LIFT CYLINDER/SPRING LIFT



PART NO.	PART DESCRIPTION
41608S	5/16-18 x 1-1/4" LONG ALLEN SOCKET HD CAP SCREW, S.S.
49641S	LOCKWASHER FOR 1/4" BOLT, S.S.
49642S	5/16" LOCK WASHER S.S.
49667S	5/8" ID x 13/64 wide x 5/32" THK LOCKWASHER, S.S.
500765S	EXT. TOOTH LOCKWASHER 5/8"
501494S	CAP SCREW-SOCKET HD 1/4-20 x 2-1/2" LONG, S.S.
506002S	5/8-18 x 1-1/4" HEX HEAD CAP SCREW
511018S	ROLL PIN 5/16" DIA x 1" LONG
515060	O-RING
526577	5/8-18 x 7/8" HEX HEAD CAP SCREW
UB804.1	SCREW
UB816.05	SHIM (.005")
UB816.10	SHIM (.010")
UB816.16	SHIM (.016")
UB816.32	SHIM (.032")
UB1302	LIFT CYLINDER END & CAM BLOCK ASSY. - INCLUDES UB1303, 171306, 506002S & 49667S
UB1303	LIFT CYLINDER END & DOWEL ASSEMBLY
UB1304	CYLINDER END DOWEL PIN (specify 3/4" or 1" long)
UB1305	CYLINDER END - INCLUDES 41608S & 49642S
*UB1306	CAN CYLINDER CAM BLOCK, BRASS
UB1306.1	CAM BLOCK
UB1307	LIFT CYLINDER END STOP BLOCK
UB1307.1	STOP BLOCK
UB1309	CAN PLATFORM - INCLUDES UB1309.1 STELLITE PLATE
UB1309.1	CAN PLATFORM WEAR PLATE, STELLITE
*UB1311	LIFT CYLINDER AND END PLUG ASSEMBLY
UB1317	LIFT CUP
*UB1319	LIFT CYLINDER BUSHING
UB1321	MANIFOLD GASKET
*UB1322	SHOULDER BOLT
UB1323	O-RING
UB1324	LIFT CYLINDER HOLDING TRIP BLOCK
UB1325	LOCKWASHER, S.S. 1/2"
UB1326	FLAT WASHER, BRASS, 3/4"
UB1327	SPRING
UB1328	SPRING GUIDE

REPLACEMENT PARTS FOR MEYER FILLERS R11 and R11A Filling Valves

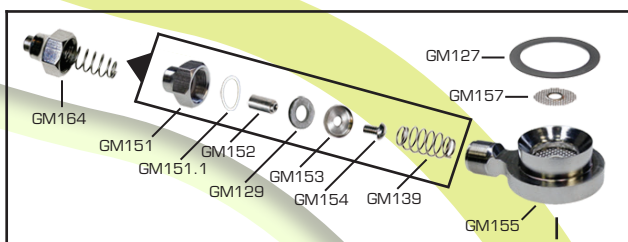
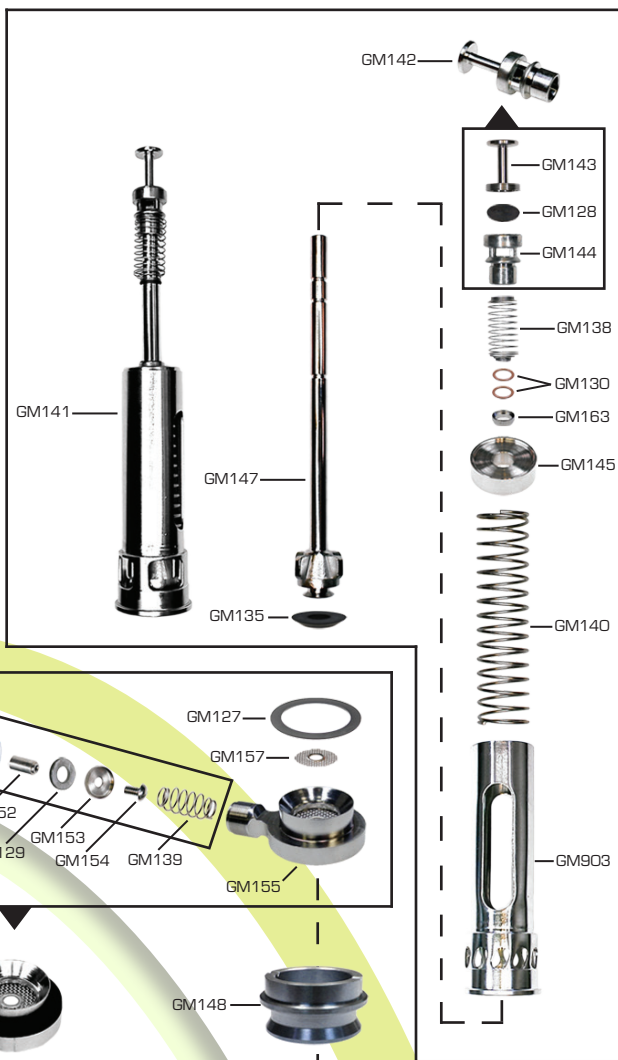
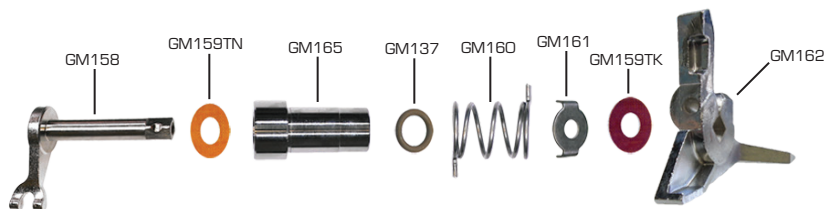


PART NO.	PART DESCRIPTION
GM128	CHARGING VALVE SEAT
GM129	SNIFT VALVE SEAT
GM130	O-RING FOR VALVE STEM
GM137	O-RING FOR VALVE OPERATING LEVER
GM138	CHARGING VALVE SPRING
GM142	CHARGING VALVE & CAP ASSEMBLY
GM143	CHARGING VALVE CAP
GM145	COLLAR, POST VALVE STEM GUIDE
GM151	NUT, SNIFT VALVE INSERT
GM151.1	SNIFT NUT GASKET
GM152	SNIFT VALVE STEM
GM153	SNIFT VALVE RETAINER
GM154	6-32 x 1/4" ROUND HEAD SCREW
GM158	INSIDE VALVE OPERATING LEVER FOR S.S. OR FLUOROCARBON BUSHING
GM159TN	FIBER WASHER, THIN (inside)
GM159TK	FIBER WASHER, THICK (outside)
GM160	OUTSIDE LEVER FRICTION SPRING
GM161	SPRING RETAINER WASHER
GM162	R.H. VALVE OPERATING LEVER
GM163	O-RING RETAINER, COLLAR
GM165	OPERATING LEVER BUSHING, S.S. (specify S.S. or fluorocarbon)
GM900	COMPLETE FILLING VALVE ASSEMBLY
GM902	POST VALVE SPRING
GM904	GROOVE PIN
GM907	SECONDARY VALVE SPRING
GM908	VALVE STEM
GM909	O-RING
GM910	VALVE SEAT RUBBER
GM912	O-RING FOR SNIFT BLOCK
GM913	SNIFT BLOCK
GM913A	SNIFT BLOCK COMPLETE W/ SNIFT PLUNGER ASSY.
GM914	SNIFT VALVE SPRING
GM915	SNIFT PLUNGER ASSEMBLY
GM916	CENTERING BELL, S.S.
GM1301	POST VALVE ASSEMBLY
GM1303	VALVE SPRING CAGE
GM1305	VALVE GUIDE
GM1306	SECONDARY VALVE
GM1311	VALVE STEM & SECONDARY VALVE ASSY.
GM1500	COMPLETE FILING VALVE ASSY, N.G.
GM1501	BOTTLE SEALING RUBBER (new generation)
GM1504	CHARGING VALVE BODY (new generation)
GM1505	CHARGING VALVE SPRING (new generation)
GM1512	O-RING FOR SNIFT BLOCK (new generation)
GM1513	SNIFT BLOCK (new generation)
GM1513A	SNIFT BLOCK & PLUNGER ASSY. (new generation)
GM1514	SNIFT VALVE NUT (new generation)
GM1515	SNIFT VALVE STEM (new generation)
GM1549	CENTERING DEVICE PLATE
GM1550	CENTERING DEVICE ASSEMBLY
GM1551	CENTERING DEVICE PLATE WITH BUSHINGS
GM1552	CENTERING DEVICE INSERT 28MM
GM1553	CENTERING DEVICE INSERT 32MM
GM1554	CENTERING DEVICE O-RING
GM1555	CENTERING BUSHING
GM1556	CENTERING DEVICE SPRING
GM1560	CENTERING DEVICE GUIDE ROD
GM1564	LEVER, VALVE SUB ASSEMBLY
GM1565	SCREW, NYLOCK
GM1566	WASHER, FLAT
GM1567	NUT, HEX S.S.
GM1568	SCREW SOCKET HEAD
GM1569	LEVER, OUTSIDE VALVE OPERATING (INCLUDES GM1567 & GM1568)
GM1570	WAVE WASHER
GM1571	KEYED WASHER
GM1572	DOWEL PIN
GM1573	PHENOLIC WASHER
GM1574	STOP SPACER
GM1575	O-RING
GM1576	BUSHING, VALVE LEVER (INCLUDES GM1575)
GM1577	INSIDE VALVE LEVER, RH

Call us at 1-800-643-2510 or e-mail us at sales@amcoprod.com

REPLACEMENT PARTS FOR MEYER FILLERS

Standard Filling Valve



GM125
COMPLETE
FILLING VALVE
ASSEMBLY
INCLUDES
GM141 AND
GM155A

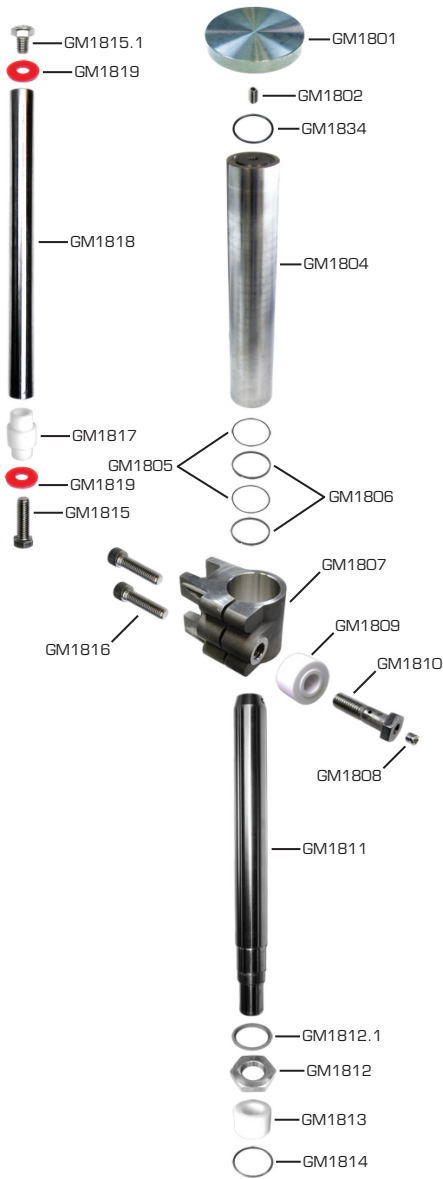
PART NO.	PART DESCRIPTION
GM125	COMPLETE FILLING VALVE ASSEMBLY
GM126	CENTERING CUP INSERT
GM127	SNIFT BLOCK GASKET
GM128	CHARGING VALVE SEAT
GM129	SNIFT VALVE SEAT
GM130	O-RING FOR VALVE STEM
GM135	VALVE SEAT RUBBER
GM137	O-RING FOR VALVE OPERATING LEVER
GM138	CHARGING VALVE SPRING
GM139	SNIFT VALVE SPRING
GM140	POST VALVE SPRING
GM141	POST VALVE ASSEMBLY
GM142	CHARGING VALVE AND CAP ASSEMBLY
GM143	CHARGING VALVE CAP
GM144	CHARGING VALVE BODY
GM145	COLLAR, POST VALVE STEM GUIDE
GM147	VALVE STEM (specify overall length)
GM148	CENTERING BELL, S.S.
GM151	NUT, SNIFT VALVE INSERT
GM151.1	SNIFT NUT GASKET
GM152	SNIFT VALVE STEM
GM153	SNIFT VALVE RETAINER
GM154	6-32 x 1/4" ROUND HEAD SCREW
GM155	SNIFT BLOCK - INCLUDES GM156 FERRULE (rebuild also)
GM155A	SNIFT BLOCK & PLUNGER ASSEMBLY
GM157	SNIFT VALVE SCREEN
GM158	INSIDE VALVE OPERATING LEVER FOR S.S. OR FLUOROCARBON BUSHING
GM159TN	FIBER WASHER, THINK (inside)
GM159TK	FIBER WASHER, THICK (outside)
GM160	OUTSIDE LEVER FRICTION SPRING
GM161	SPRING RETAINER WASHER
GM162	R.H. VALVE OPERATING LEVER
GM163	O-RING RETAINER, COLLAR
GM164	SNIFT PLUNGER ASSEMBLY
GM165	OPERATING LEVER BUSHING S.S. (specify S.S. or fluorocarbon)
GM903	VALVE SPRING CAGE

REPLACEMENT PARTS FOR MEYER FILLERS

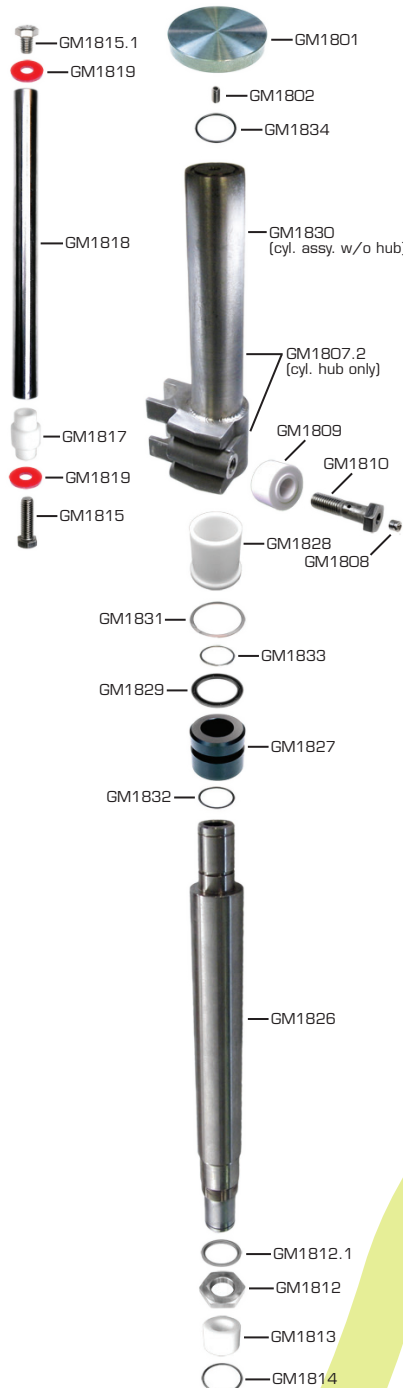
Lift Cylinders New Generation



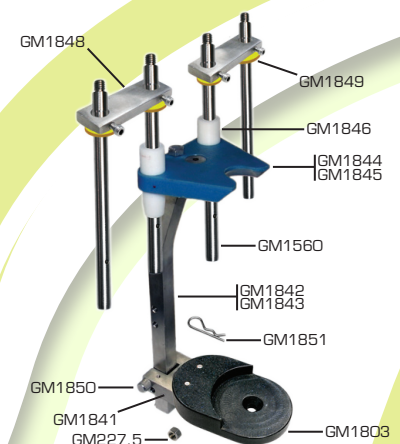
Fiberglass Lift Cylinder/ Meyer New Generation



S.S. Lift Cylinder/ Meyer New Generation

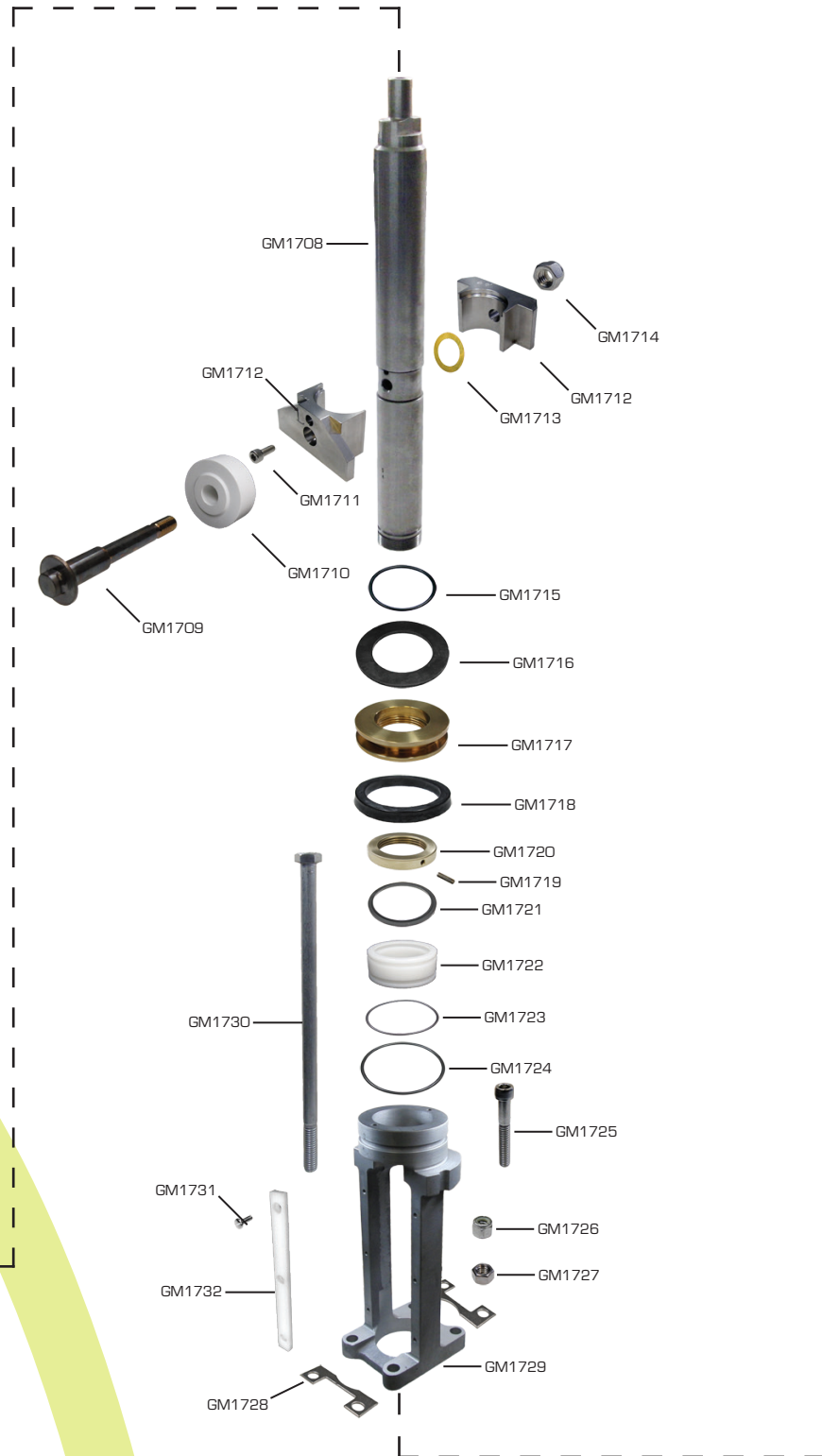
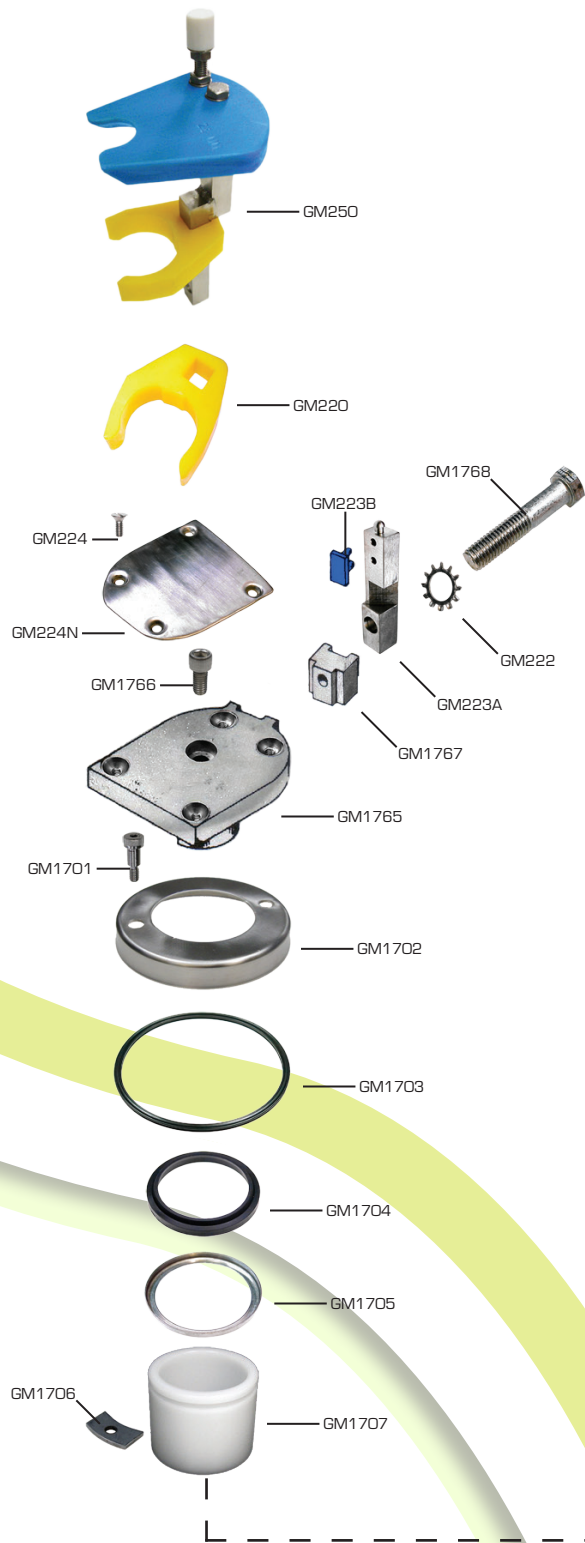


PART NO.	PART DESCRIPTION
GM227.5	BOLT SOCKET HEAD 3/8-24" W/NUT
GM1560	FILLER GUIDE ROD
GM1801	BOTTLE PAD, UP TO 2.5" DIA.
GM1801.3	BOTTLE PAD, 2.5-3.0" DIA.
GM1801.4	BOTTLE PAD, 3.5-4.0" DIA.
GM1801.5	BOTTLE PAD, 4.25-5.0" DIA.
GM1802	SOCKET SET SCREW 3/8-16 x .75
GM1803	UHMW BOTTLE PAD W/BACK SUPPORT
GM1804	CYLINDER ASSY.
GM1805	O'RING
GM1806	PISTON RING
GM1807.1	CYLINDER HUB, S.S.
GM1807.2	CYLINDER ASSY. WITH HUB
GM1808	LUBE FITTING
GM1809	CAM FOLLOWER
GM1809.1	CAM FOLLOWER (PLASTIC)
GM1810	CAM FOLLOWER SHAFT (STUD)
GM1810.1	SHOULDER BOLT FOR PLASTIC CAM FOLLOWER
GM1811	PISTON
GM1812	HEX NUT
GM1812.1	SEATING RING (COLLAR)
GM1813	DRIVE ROLLER
GM1814	RETAINING RING
GM1815	SCREW, HEX HEAD 3/8-16 x 1.25
GM1815.1	SCREW, HEX HEAD 3/8-16 x 1 1/2" S.S.
GM1816	SCREW SOCKET HEAD 3/8-16 x 1.5
GM1817	GUIDE BUSHING
GM1818	GUIDE ROD
GM1819	BUMBER PAD
GM1826	PISTON ROD
GM1827	PISTON FOR GM1829
GM1828	BUSHING LOWER
GM1829	U CUP FOR PISTON FOR GM1827
GM1830	CYLINDER ASSY. WITHOUT HUB
GM1831	RETAINING RING
GM1832	O'RING
GM1833	RETAINING RING
GM1834	O'RING
GM1841	NECK SUPPORT CLAMP PLATE
GM1842	NECK SUPPORT VERTICAL ASSY. 28MM
GM1843	NECK SUPPORT VERTICAL ASSY. 38MM
GM1844	TOP PLATE 28MM
GM1845	TOP PLATE 38MM
GM1846	GUIDE ROD BUSHING
GM1847	NECK SUPPORT VERTICAL POST
GM1848	ROD CLAMP BAR W/SET
GM1849	URETHANE BUMBER
GM1850	S.S. PIN
GM1851	HITCH PIN S.S.

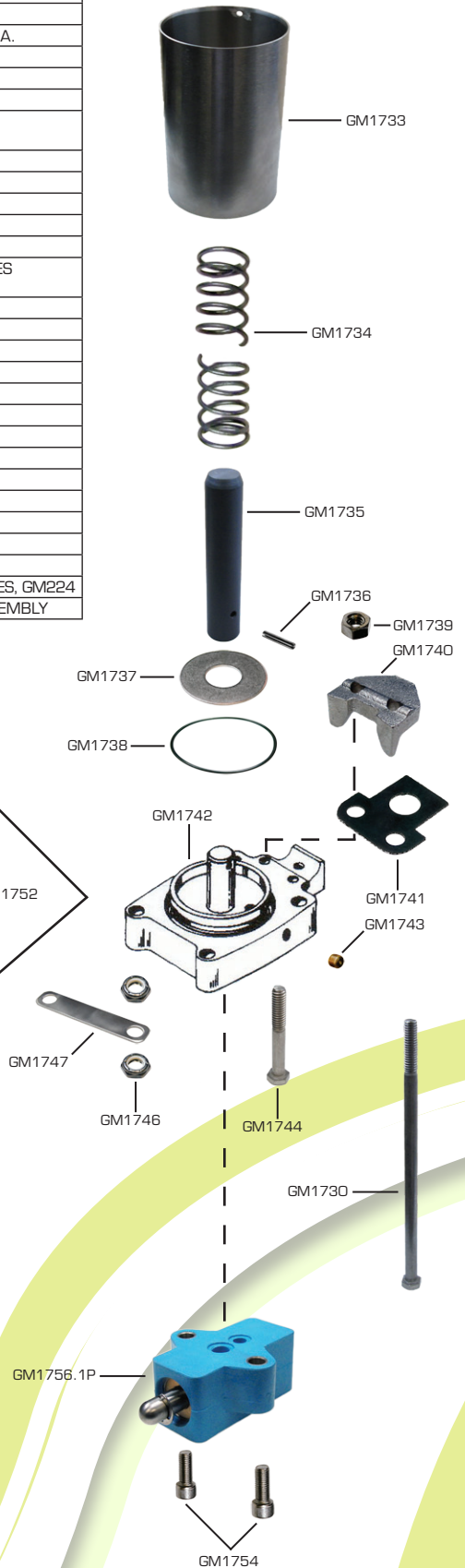
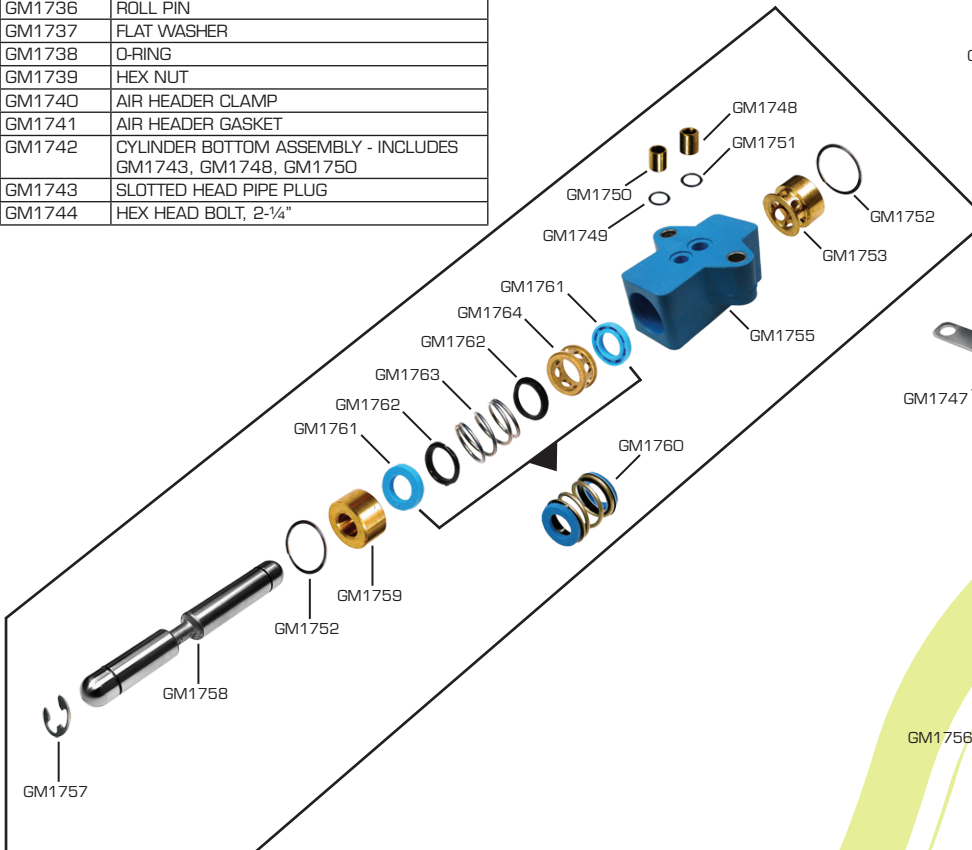


Neck Support Assembly

REPLACEMENT PARTS FOR MEYER FILLERS Lift Cylinders Positive Pulldown



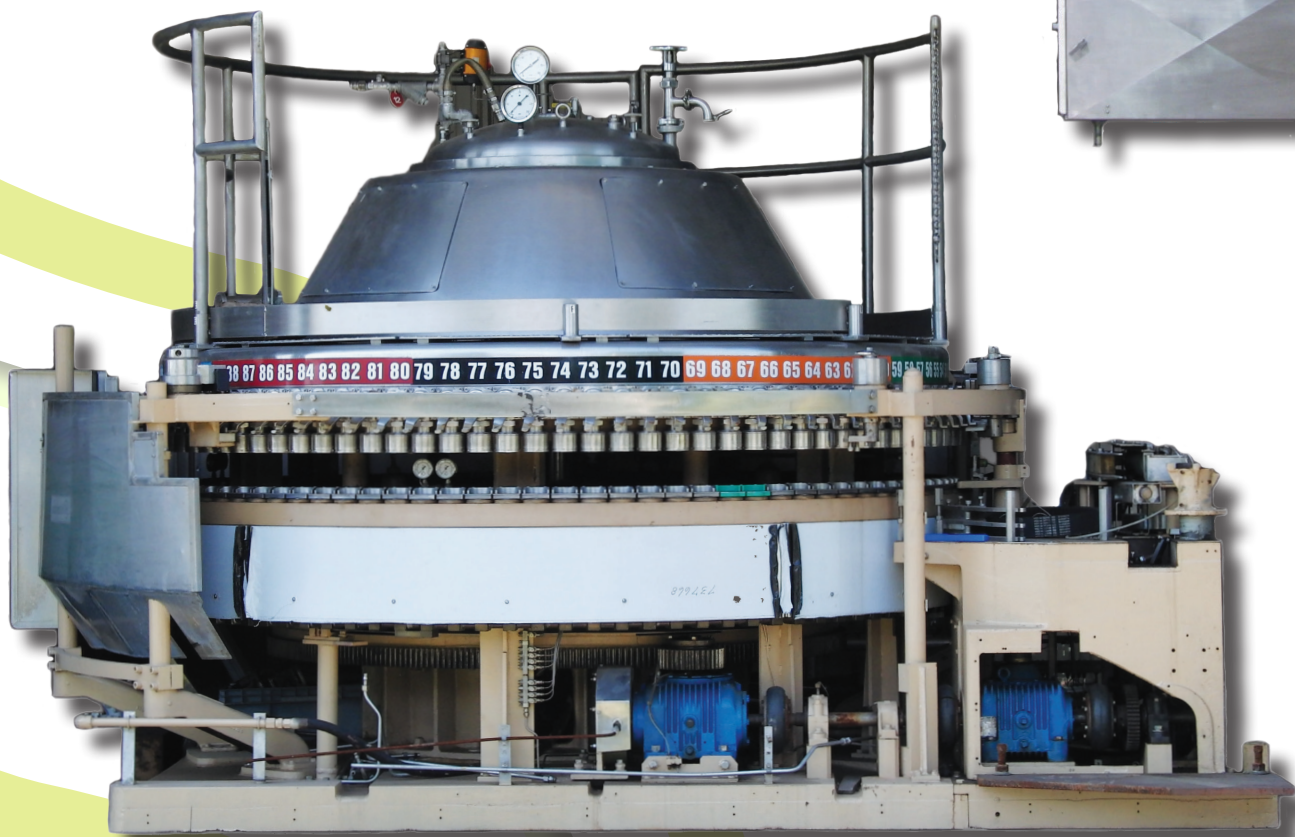
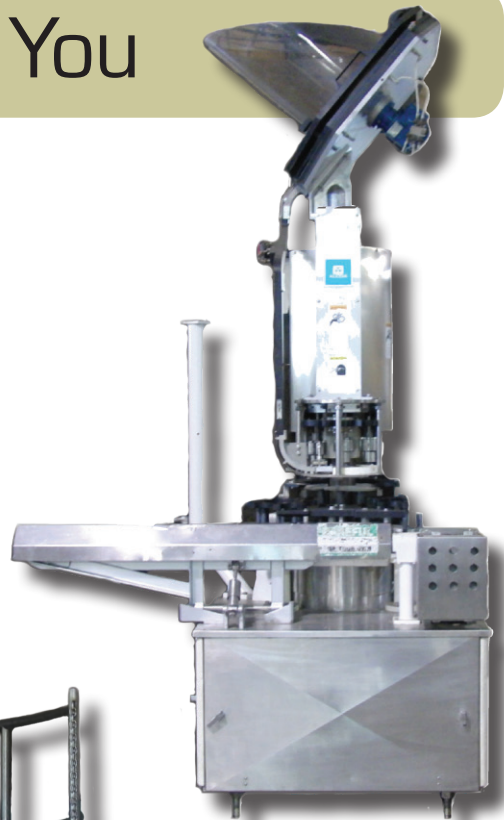
PART NO.	PART DESCRIPTION	PART NO.	PART DESCRIPTION
GM1701	SHOULDER SCREW	GM1746	HEX NUT
GM1702	DUST SEAL RETAINER	GM1747	CYLINDER TIE BAR
GM1703	QUAD RING	GM1748	BOTTOM EXHAUST BUSHING, 3/8" DIA.
GM1704	ROD WIPER	GM1749	O-RING
GM1705	ROD WIPER SHELL	GM1750	BOTTOM INLET BUSHING, 5/16" DIA.
GM1706	BUSHING CLIP	GM1751	O-RING
GM1707	UPPER CYLINDER BUSHING	GM1752	RING, SPIRALOX
GM1708	PISTON ROD	GM1753	EXHAUST PORT RING
GM1709	CAM ROLLER PIN	GM1754	SOCKET HEAD CAP SCREW - INCLUDES LOCKWASHER
GM1710	CAM ROLLER	GM1755	SPOOL VALVE HOUSING
GM1711	SOCKET HEAD SCREW	GM1756	SPOOL VALVE ASSEMBLY
GM1712	CAM ROLLER CLAMP	GM1757	RETAINING RING
GM1713	SHIM	GM1758	STEM
GM1714	HEX JAM NUT	GM1759	SPACER BEARING
GM1715	O-RING	GM1760	SPOOL VALVE REPAIR KIT - INCLUDES GM1761 THRU GM1763
GM1716	PISTON BUMPER	GM1761	PACKER
GM1717	PISTON	GM1762	SPREADER
GM1718	U-CUP FOR PISTON	GM1763	SPRING
GM1719	GROOVE PIN	GM1764	LANTERN
GM1720	PISTON ROD LOCKNUT	GM1765	STIRRUP SHOE
GM1721	ROD WIPER	GM1766	SOCKET HEAD CAP SCREW
GM1722	LOWER CYLINDER BUSHING	GM1767	SPACER, GRIPPER POST
GM1723	O-RING	GM1768	HEX HEAD BOLT, 2-1/2"
GM1724	O-RING	GM220	GRIPPER (specify bottle diameter)
GM1725	SOCKET HEAD CAP SCREW, 2-1/2"	GM222	LOCKWASHER, EXTERNAL TOOTH
GM1726	HEX NUT	GM223A	GRIPPER POST
GM1727	HEX NUT	GM223B	GRIPPER POST ADAPTER
GM1728	BUSHING CLIP	GM224	#10-24 x 1/2" FLAT HEAD SCREW
GM1729	CYLINDER HOUSING	GM225N	STIRRUP SHOE WEAR PLATE - INCLUDES, GM224
GM1730	HEX HEAD BOLT, 8"	GM250	NECK SUPPORT AND GRIPPER ASSEMBLY
GM1731	BINDER HEAD SCREW		
GM1732	WEAR STIP		
GM1733	AIR CYLINDER		
GM1734	COMPRESSION SPRING		
GM1735	PISTON SPRING GUIDE		
GM1736	ROLL PIN		
GM1737	FLAT WASHER		
GM1738	O-RING		
GM1739	HEX NUT		
GM1740	AIR HEADER CLAMP		
GM1741	AIR HEADER GASKET		
GM1742	CYLINDER BOTTOM ASSEMBLY - INCLUDES GM1743, GM1748, GM1750		
GM1743	SLOTTED HEAD PIPE PLUG		
GM1744	HEX HEAD BOLT, 2-1/4"		



Rebuilt & Reconditioned

Rebuilt Just For You

AMCO has a large selection of rebuilt and reconditioned packaging equipment. Whatever your needs may be, chances are we have a solution for you.

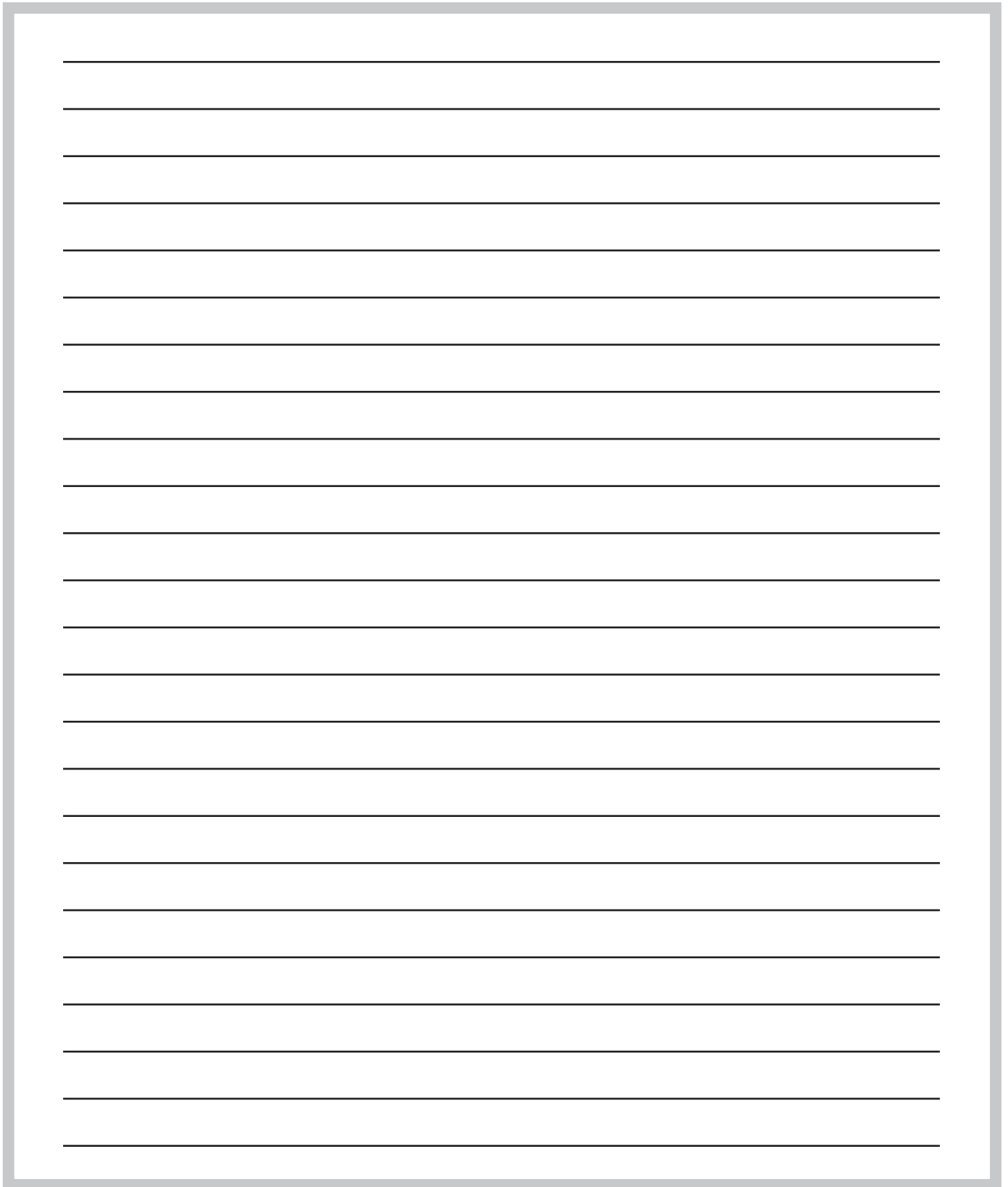


Notes



A large rectangular area with a light gray border, containing 25 horizontal black lines for writing notes.

Notes



A large rectangular box with a gray border, containing 25 horizontal lines for writing notes. The lines are evenly spaced and extend across the width of the box.



SALES POLICY

All sales orders are subject to acceptance by a duly authorized representative of AMCO at the company's office in Fort Smith, Arkansas. Payment terms are net 30 days after invoice date for customers with established credit. If credit has not yet been established with AMCO, please include payment with order. No returns are accepted on custom made parts. A restocking fee may apply for the return of stocked parts. Shipment of parts are FOB AMCO warehouse in Fort Smith, Arkansas and will be shipped via UPS ground unless otherwise specified. All prices are subject to the addition of freight and any sales, use, excise, or other taxes which may be in effect at the time of shipment.

DOMESTIC WARRANTY

Machine parts and components made and sold by AMCO are warrantied for a period of six months from the date of shipment. If any part is found to be defective in material or workmanship (excluding normal wear and tear) within the warranty period, AMCO will replace the part or issue credit for the listed sale price of the part; no claims will be allowed for labor, down time, or consequential damages. Defective parts must be returned for inspection by AMCO personnel before credit will be issued.

AMCO

PRODUCTS COMPANY



501 Phoenix Ave. Fort Smith, Arkansas, USA 72916
Post Office Box 145 Fort Smith, Arkansas, USA 72902
Direct (479)646-8949 FAX (479)648-1032
Toll-Free (800)643-2510
amcoprod.com
knifeplates.com
sales@amcoprod.com